

# Commercial Grade Drop-In & Undermount Sinks



JUST...the stainless source for spec series sinks

just manufacturing  
justmfg.com



## Just Manufacturing's commitment to **GREEN** awareness

In plant production as well as inbound Raw materials and Packaging are factored in to our GREEN planning recycling efforts.

Manufacturing technologies not only address productivity but "in plant" environmental issues as well.



We recycle:  
Raw materials  
Packaging and Collateral materials



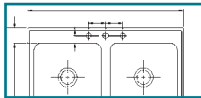









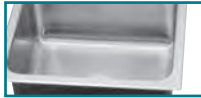











Just's commitment to an environmentally conscious production facility is an ongoing process of awareness and improvements.





# COMMERCIAL DROP-IN & UNDERMOUNT SINK BOWLS

## Table of Contents

	<b>Product Highlights and Spec Values</b>	<b>1</b>		<b>GE Group Drop-In Dishwasher Sinks</b>	<b>24</b>
	<b>Resources</b>	<b>2</b>		<b>Continental Drop-In Group</b>	<b>25</b>
	<b>Grip Rim Installation</b>	<b>3</b>		<b>Lavatory Sinks</b> ADA Compliant	<b>26-30</b> 26-30
	<b>Stylist Group Undermount Sinks</b>			<b>Academic Group Sinks</b> Academic ADA Series	<b>31-42</b> 31-33, 38-40
	Single	15			
	Double & Lavatories	16			
	Offset Double & Triple	17			
	ADA Single, Double & Triple	18			
	Lavatory	18 & 30			
	<b>ADA Compliant Stylist Drop-In and Undermount Groups</b>			<b>Classroom Faucets and Sink Bubblers</b>	<b>34</b>
	Single Bowl	5			
	Double	10			
	Triple Bowl Lavatory	14			
	ADA Undermount	18			
	Congeniality	20		<b>Drain Systems</b>	<b>34</b>
<b>Stylist Group Drop-In</b>				<b>Sink inserts</b> ADA Insert Group	<b>43-44</b> 44
	<b>Single Compartment Sinks</b>	<b>4-8</b>	<b>Integra Flow</b>		
	<b>Double Compartment Sinks</b>	<b>9-13</b>		<b>Integra Flow</b> Drop-in Singles Doubles	<b>4-5</b>  9,10 &11
	<b>Triple Compartment Sinks</b>	<b>14 &amp; 22</b>		<b>Undermounts</b> Single Doubles	<b>15</b>  16
	<b>Congeniality Group</b>			ADA Single, doubles and lavatories	<b>18</b>
	Bar Sinks	19-20			
	ADA Congeniality	20		<b>Hospitality Group</b> Standard depth ADA version	<b>19</b>  20
	<b>Functional Group</b>			<b>Classroom Sinks</b>	<b>31-32-33-38-40 41-42</b>
	Offset Sinks	21			
	<b>Drop-In Functional Group</b>	<b>23</b>		<b>Lavatories</b>	<b>26-33, 35-37</b>
	Cornersinks				
	Disposal Well Sinks				
	Sink Laundry Tray HUD Models				
				<b>Index</b>	<b>45-47</b>

DROP-IN & UNDERMOUNT SINK BOWLS



VISIT JUST STAINLESS STEEL SINKS AT [WWW.JUSTMFG.COM](http://WWW.JUSTMFG.COM)

JUST MANUFACTURING COMPANY	9233 KING STREET	FRANKLIN PARK	ILLINOIS	60131
PH: 847.678.5150	FAX: 847.678.6817	EMAIL: CUSTSERV@JUSTMFG.COM	WEBSITE: WWW.JUSTMFG.COM	

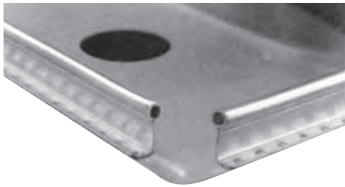
## SPEC VALUES

The Stainless Source For Spec Series Sinks™

Innovation, automation and creative logistics have afforded Just a marketplace reputation among specification and design professionals as a world leader in the design, production and distribution of commercial grade stainless steel sinks and related plumbing fixtures, faucets and accessory products.



### 100% STAINLESS STEEL SINK



#### STAINLESS STEEL CHANNEL

300 SERIES STAINLESS STEEL CHANNEL is standard on all JUST sinks, providing a complete all stainless steel corrosion resistant sink.

#### GRIP RIM PLUS

GRIP-RIM PLUS INSTALLATION is standard on JUST drop-in bowls. Easy, top mount snap-in clip installation affords a 50% time savings with no lugs and screws to mess with. Space efficiency allows the largest sink on odd size base cabinet areas...no under counter problems with clipping systems that protrude beyond the overall sink dimension. Unique applications and tile are easily accommodated by the GRIP-RIM PLUS through the use of the "J" clip option, making JUST Sinks compatible with any type material from 3/4" thick through 2-1/2" thick tops. Please specify top thickness when ordering. See page 3 for details.

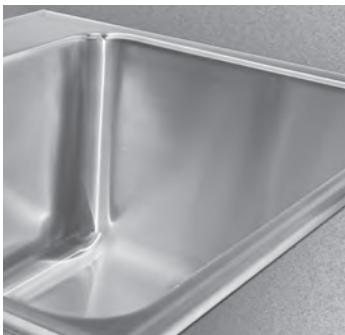


#### SOUND INSULATION

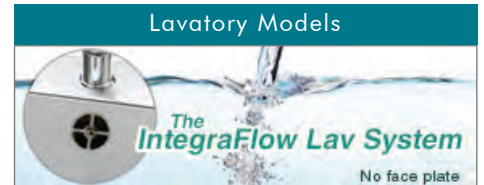
All sinks thoroughly sound deadened to ensure proper insulation and to absorb condensation.

#### DEPTH + RADIUS = CAPACITY

RADIUS is 1-3/4" on most corners and bottom turns. This, combined with a STRAIGHT SIDED configuration, allows for a greater functional compartment area. Depths are varied and generous, 4-1/2" through 12", for maximum available in-stock sizes (see specific models).



#### THE INTEGRA FLOW SYSTEM SINKS OFFERED FOR BOTH STANDARD



The New **Integra Flow** system has been developed as a response to potential multi-level building flooding liability, although any environment can be safer from overflow problems. Be it a classroom, office break room, hotel suite, assisted living or dormitory, flooding can be very costly and disruptive to the occupants and maintenance personnel. Secure your specifications with the Just Integra Flow system.

The **Integra Flow** system is an especially effective vandal resistant preventative in an academic setting. Even residential laundry rooms are prone to the possibility of the occasional sink overflowing and all the damage that comes with it. **Integra Flow** sinks are available in both self rimming and undermount versions of the complete offering of Just sizes and product categories, including ADA compliant, Academic group, and Stylist group version Integra Flow sinks. ADA compliant sinks are especially prone to overflowing due to the shallower code compliance depths... Integra Flow systems are especially effective in these applications.

#### WHY TYPE 304 MATTERS

##### COMMERCIAL GRADE STAINLESS STEEL TYPE - 304

All Just sinks are seamlessly die-drawn from nickel bearing type 304, 18-8 stainless steel (18% chrome and 8% nickel content) allows for easy cleaning and stain resistance. The alternative type 316 alloy, contains a molybdenum additive providing greater corrosion resistance to harsher chemicals and acids.



##### GAUGES - 18 and 20 Gauge

JUST's quality stainless steel drop-in bowls are available in either 18 or 20 true gauge (see specific models).





Just Manufacturing's BIM product files are available in both SketchUp and REVIT format 3D model files on [www.justmfg.com](http://www.justmfg.com). The BIM 3D model file links appear on the product search return screens and are specific to the model shown.



### UNDERMOUNT ADA COMPLIANT STYLIST SERIES SINKS

Undermount ADA compliant sinks are available in the full range of Just sizes and shapes completing the most comprehensive offering of ADA undermounts available anywhere. Depth ranges 4-1/2" through 5-1/2" maximums factor in top thickness to maintain ADA compliancy. Drain location as specified Center / Drain Center Rear / Right Rear or Left Rear. Produced in 18 gauge type 304 stainless steel. Also available with the Integra flow overflow system.



See page 18

### ADA COMPLIANT FEATURES



JUST QUALITY PRODUCTS DESIGNED FOR ADA COMPLIANT AND CODE SPECIFIC APPLICATIONS

#### ADA SPECIFICATIONS

JUST ADA Compliant sink models are seamlessly drawn of 18 gauge type 304, 18-8 stainless steel. Interior and top surfaces to be polished to a Satin blended No. 4 Just Finish, with highlighted bowl rim. Straight sided compartments with 1-3/4" radius corners for greater capacity. All sinks thoroughly under coated with smooth, nonabrasive sound deadening material. Provided with stainless steel Grip-Rim PLUS self-rimming channel.

#### DEPTH OPTIONS - DROP-IN AND UNDERMOUNT

Available depths, in 1/2" increments, range from 4-1/2" through 6-1/2" (4-1/2" through 5-1/2" for undermount). Specify as such.

#### DRAIN LOCATIONS

Drain locations in ADA Compliant sinks are offset to the rear center of the bowl. Alternate drain locations left rear, right rear, and centered are also available.

#### ADA BOWLS - TYPE 316

ADA Compliant bowls are available in Type 316 Stainless Steel. Type 316 ADA Bowls are 6 1/2" deep only.

#### DRAIN SYSTEMS

ADA Compliant Drain Systems available include the J-ADA-35 stainless steel cup strainer type, J-ADA-115-FS and J-ADA-35FS flat grid strainers. See pages 5, 10, 14, 18 & 20.

### HOW TO USE THIS CATALOG

#### EASY-TO-USE CATALOG REFERENCE

Just Manufacturing provides easy-to-read tables throughout our catalog.

The tables include the Model Number, Overall Dimensions (O.D.), the Inside Dimensions (I.D.) and the Depth.

The first number for Outside Dimension (O.D.) denotes the outside Front-to-Back dimension of the overall unit. The second number for O.D. denotes the outside Left-to-Right dimension of the overall unit.

The first number for Inside Dimension (I.D.) denotes the inside Front-to-Back dimension of the sink bowl. The second number for I.D. denotes the inside Left-to-Right dimension of the sink bowl.

DOUBLE BOWL - 18 GAUGE - STANDARD DEPTH			
Model No.	O.D.1	I.D.2	Depth
DL-2233-A-GR	22 x 33	16 x 14	8

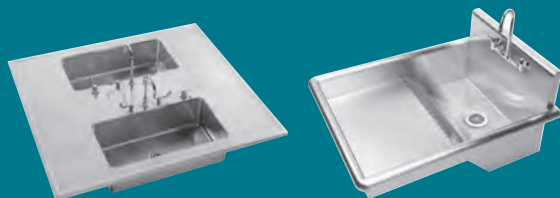
  

DOUBLE BOWL - 20 GAUGE - STANDARD DEPTH			
Model No.	O.D.1	I.D.2	Depth
DL-2233-B-GR	22 x 33	16 x 14	7

### CUSTOM MADE-TO-ORDER SIZES

While Just Manufacturing offers a comprehensive line of stainless steel stock size sinks, our experience and versatility extend well beyond this catalog.



Fabricators of stainless steel plumbing fixtures and counter tops for over 80+ years, Just Manufacturing can fabricate custom made units in a variety of shapes and sizes and material thicknesses. We are proud to offer a custom line of sinks to complement the sinks shown in this catalog. Application specific design, fabrication and quality unequaled in the industry, making JUST the preferred product in today's unique commercial and residential projects. Call your JUST factory representative for further details.

Stainless is more with Just Grip-Rim® Plus sinks.

# Cut your sink installation costs by 50%

With Just Grip-Rim® Plus sinks you'll install in 1/2 the time, saving you money and effort.

Typical installation takes only 15 minutes!

For over 40 years and millions of installations, the Grip-Rim Plus is the only proven top-mounted installation to save you money.

Avoid installation problems and reduce installation costs by 50% with Grip-Rim Plus from Just Manufacturing, the premier name in commercial and residential stainless steel sinks. Installing the Grip-Rim Plus clip system is as easy as 1, 2, 3.

**1** Nail spring clips to the edge of counter top



**2** Apply caulk to underside of the bowls rim



**3** Press down with both hands to snap into place



Simply nail in clips to edge of counter cutout, apply caulk to the underside of bowl rim and press sink down. The exclusive spring tension clip actually pulls and holds the sink in place. Grip-Rim Plus is space efficient, allowing you to install the largest sink possible while eliminating concerns such as narrow installations front-to-back bowls, stubborn corners and dimpling. "J" clips are available for tile or unique applications.

Grip-Rim Plus sinks are offered in 10,000 SKU models ranging from 12" x 15" to 22" x 73" - single, double and triple compartment configurations. All sizes feature 18 gauge **Type 304** Stainless Steel construction with a durable and attractive Satin blended No. 4 finish and a sound deadening coat on the underside.

For more information call **847.678.5150** or visit [www.justmfg.com/grip](http://www.justmfg.com/grip)

#### Just Manufacturing Co.

Franklin Park, Illinois 60131

[custserv@justmfg.com](mailto:custserv@justmfg.com)

[www.justmfg.com](http://www.justmfg.com)

"The Stainless Source for Spec Series Sinks for 85+ years."



All dimensions shown in inches.



**SPECIFICATIONS - STYLIST GROUP A - 18 GAUGE**

- JUST Stylist Group A, seamless die-drawn construction of 18 gauge type 304, 18-8, stainless steel
- Interior surfaces polished to a non-porous Satin blended No. 4 JUST finish, with highlighted bowl rim
- Smooth, fully coated underside insulates for sound and reduces condensation
- Straight-sided compartment with 1 3/4" radius corners provides greater capacity
- Self-rimming top mount Grip-Rim Plus with 300 series stainless steel mounting channels
- Conforms to ASME/ANSI A112.19.3M
- Drain punch #35 centered, for Just J-35 unless otherwise specified

**SL-1815-A-GR-T**

Includes: JGN-750 Faucet, JB-99 Drain



**SL-2233-A-GR-T**

Includes: J-1174-KS Faucet, JB-99 Drain

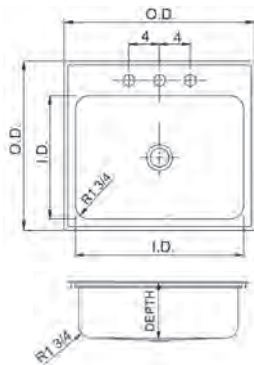


**SLF-2217-A-GR-T**

Includes: JTR-51 Faucet, JB-99 Drain



**SL-SERIES 18 GAUGE**



**DROP-IN - SINGLE BOWL - 18 GAUGE**

Model No.	O.D.1	I.D.2	*Depth
LSM-13519-A-GR	13-1/2 x 19	7-1/2 x 16	5-1/4
SL-1515-A-GR	15 x 15	9 x 12	6
SL-1613-A-GR	16 x 13	10 x 10	7-1/2
SL-1617-A-GR	16 x 17	10 x 14	7-1/2
SL-17519-A-GR	17-1/2 x 19	11-1/2 x 16	7-1/2
SL-1815-A-GR	18 x 15	12 x 12	7-1/2
SL-1921-A-GR <sup>3</sup>	19 x 21	14 x 18	7-1/2
SL-2017-A-GR	20 x 17	14 x 14	7-1/2
SL-2019-A-GR	20 x 19	14 x 16	8
SL-2117-A-GR <sup>3</sup>	21 x 17	16 x 14	8
SL-2119-A-GR <sup>3</sup>	21 x 19	16 x 16	7-1/2
SL-2122-A-GR <sup>3</sup>	21 x 22	16 x 19	7-1/2
SL-2125-A-GR <sup>3</sup>	21 x 25	16 x 22	8
SL-2131-A-GR <sup>3</sup>	21 x 31	16 x 28	8
SL-2133-A-GR <sup>3-4</sup>	21 x 33	16 x 28	8
SL-22145-A-GR	22 x 14-1/2	16 x 11-1/2	7-1/2
SL-2217-A-GR	22 x 17	16 x 14	8
SL-2219-A-GR	22 x 19	16 x 16	7-1/2
SL-2222-A-GR	22 x 22	16 x 19	7-1/2
SL-2225-A-GR	22 x 25	16 x 22	8
SL-2231-A-GR	22 x 31	16 x 28	8
SL-2233-A-GR <sup>4</sup>	22 x 33	16 x 28	8



**WITH INTEGRA-FLOW SYSTEM**

LSMF-13519-A-GR	13-1/2 x 19	7-1/2 x 16	5-1/4
SLF-1515-A-GR	15 x 15	9 x 12	6
SLF-1613-A-GR	16 x 13	10 x 10	7-1/2
SLF-1617-A-GR	16 x 17	10 x 14	7-1/2
SLF-17519-A-GR	17-1/2 x 19	11-1/2 x 16	7-1/2
SLF-1815-A-GR	18 x 15	12 x 12	7-1/2
SLF-1921-A-GR <sup>3</sup>	19 x 21	14 x 18	7-1/2
SLF-2017-A-GR	20 x 17	14 x 14	7-1/2
SLF-2019-A-GR	20 x 19	14 x 16	8
SLF-2117-A-GR <sup>3</sup>	21 x 17	16 x 14	8
SLF-2119-A-GR <sup>3</sup>	21 x 19	16 x 16	7-1/2
SLF-2122-A-GR <sup>3</sup>	21 x 22	16 x 19	7-1/2
SLF-2125-A-GR <sup>3</sup>	21 x 25	16 x 22	8
SLF-2131-A-GR <sup>3</sup>	21 x 31	16 x 28	8
SLF-2133-A-GR <sup>3-4</sup>	21 x 33	16 x 28	8
SLF-22145-A-GR	22 x 14-1/2	16 x 11-1/2	7-1/2
SLF-2217-A-GR	22 x 17	16 x 14	8
SLF-2219-A-GR	22 x 19	16 x 16	7-1/2
SLF-2222-A-GR	22 x 22	16 x 19	7-1/2
SLF-2225-A-GR	22 x 25	16 x 22	8
SLF-2231-A-GR	22 x 31	16 x 28	8
SLF-2233-A-GR <sup>4</sup>	22 x 33	16 x 28	8

- 1 O.D. - Overall Dimensions (Front-to-Back X Left-to-Right)
- 2 I.D. - Inside Dimensions (Front-to-Back X Left-to-Right)
- 3 Faucet flange 3-1/2.
- 4 Side flanges 2-1/2. Front flange 1-1/2.



**AVAILABLE - ADA COMPLIANT**

These 18 gauge units are available ADA Compliant. See page 5 for details.



Recycled Stainless, The Value Option



All dimensions shown in inches.



**SPECIFICATIONS - STYLIST GROUP A - 18 GAUGE**

- JUST ADA Stylist Group A, seamless die-drawn construction of 18 gauge type 304, 18-8, stainless steel
- Interior surfaces polished to a non-porous Satin blended No. 4 JUST finish, with highlighted bowl rim
- Smooth, fully coated underside insulates for sound and reduces condensation
- Straight-sided compartment with 1 3/4" radius corners provides greater capacity
- Self-rimming top mount Grip-Rim Plus with 300 series stainless steel mounting channels
- Conforms to ASME/ANSI A112.19.3M
- Drain punch #35 centered at rear for Just J-35 unless otherwise specified

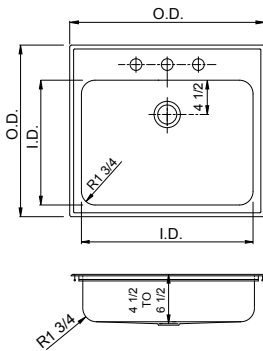
BOWL DEPTHS AVAILABLE 4-1/2" THROUGH 6-1/2", IN 1/2" INCREMENTS. SPECIFY DEPTH. SPECIFY DRAIN LOCATIONS FOR ADA COMPLIANT SINKS. CENTER, LEFT REAR, RIGHT REAR OR CENTER REAR.



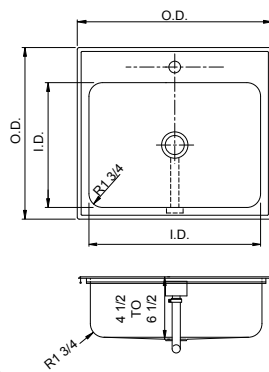
**SL-ADA-1921-A-GR-T**

Includes: JTR-51-W4 ADA Compliant Faucet, J-ADA-35 Drain system

**SL-ADA SERIES 18 GAUGE**



**SLF-ADA SERIES**

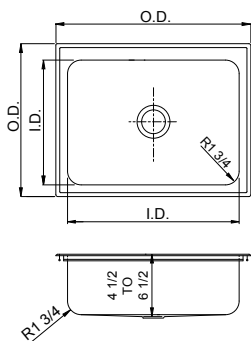


**S-ADA-1922-A-GR-T**

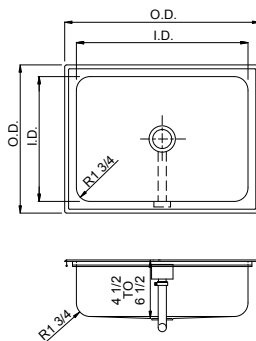
Includes: J-ADA-35 Drain system



**S-ADA SERIES 18 GAUGE**



**SF-ADA SERIES**



TYPE 316 Most JUST Stylist 18 gauge models are available in type 316 Stainless Steel, which offers greater corrosion resistance in harsh environments.

**ADA COMPLIANT - SINGLE BOWL - 18 GAUGE - LEDGEBACK**

Model No.	O.D.1	I.D.2	*Depth
SL-ADA-1613-A-GR <sup>5</sup>	16 x 13	10 x 10	4-1/2 to 6-1/2
SL-ADA-1617-A-GR	16 x 17	10 x 14	4-1/2 to 6-1/2
SL-ADA-17519-A-GR	17-1/2 x 19	11-1/2 x 16	4-1/2 to 6-1/2
SL-ADA-1815-A-GR	18 x 15	12 x 12	4-1/2 to 6-1/2
SL-ADA-1921-A-GR <sup>3</sup>	19 x 21	14 x 18	4-1/2 to 6-1/2
SL-ADA-2017-A-GR	20 x 17	14 x 14	4-1/2 to 6-1/2
SL-ADA-2019-A-GR	20 x 19	14 x 16	4-1/2 to 6-1/2
SL-ADA-2117-A-GR <sup>3</sup>	21 x 17	16 x 14	4-1/2 to 6-1/2
SL-ADA-2119-A-GR <sup>3</sup>	21 x 19	16 x 16	4-1/2 to 6-1/2
SL-ADA-2122-A-GR <sup>3</sup>	21 x 22	16 x 19	4-1/2 to 6-1/2
SL-ADA-2125-A-GR <sup>3</sup>	21 x 25	16 x 22	4-1/2 to 6-1/2
SL-ADA-2131-A-GR <sup>3</sup>	21 x 31	16 x 28	4-1/2 to 6-1/2
SL-ADA-2133-A-GR <sup>3-4</sup>	21 x 33	16 x 28	4-1/2 to 6-1/2
SL-ADA-22145-A-GR	22 x 14-1/2	16 x 11-1/2	4-1/2 to 6-1/2
SL-ADA-2217-A-GR	22 x 17	16 x 14	4-1/2 to 6-1/2
SL-ADA-2219-A-GR	22 x 19	16 x 16	4-1/2 to 6-1/2
SL-ADA-2222-A-GR	22 x 22	16 x 19	4-1/2 to 6-1/2
SL-ADA-2225-A-GR	22 x 25	16 x 22	4-1/2 to 6-1/2
SL-ADA-2231-A-GR	22 x 31	16 x 28	4-1/2 to 6-1/2
SL-ADA-2233-A-GR <sup>4</sup>	22 x 33	16 x 28	4-1/2 to 6-1/2

**WITH INTEGRA-FLOW SYSTEM**

SLF-ADA-1617-A-GR	16 x 17	10 x 14	4-1/2 to 6-1/2
SLF-ADA-17519-A-GR	17-1/2 x 19	11-1/2 x 16	4-1/2 to 6-1/2
SLF-ADA-1815-A-GR	18 x 15	12 x 12	4-1/2 to 6-1/2
SLF-ADA-1921-A-GR <sup>3</sup>	19 x 21	14 x 18	4-1/2 to 6-1/2
SLF-ADA-2017-A-GR	20 x 17	14 x 14	4-1/2 to 6-1/2
SLF-ADA-2019-A-GR	20 x 19	14 x 16	4-1/2 to 6-1/2
SLF-ADA-2117-A-GR <sup>3</sup>	21 x 17	16 x 14	4-1/2 to 6-1/2
SLF-ADA-2119-A-GR <sup>3</sup>	21 x 19	16 x 16	4-1/2 to 6-1/2
SLF-ADA-2122-A-GR <sup>3</sup>	21 x 22	16 x 19	4-1/2 to 6-1/2
SLF-ADA-2125-A-GR <sup>3</sup>	21 x 25	16 x 22	4-1/2 to 6-1/2
SLF-ADA-2131-A-GR <sup>3</sup>	21 x 31	16 x 28	4-1/2 to 6-1/2
SLF-ADA-2133-A-GR <sup>3-4</sup>	21 x 33	16 x 28	4-1/2 to 6-1/2
SLF-ADA-22145-A-GR	22 x 14-1/2	16 x 11-1/2	4-1/2 to 6-1/2
SLF-ADA-2217-A-GR	22 x 17	16 x 14	4-1/2 to 6-1/2
SLF-ADA-2219-A-GR	22 x 19	16 x 16	4-1/2 to 6-1/2
SLF-ADA-2222-A-GR	22 x 22	16 x 19	4-1/2 to 6-1/2
SLF-ADA-2225-A-GR	22 x 25	16 x 22	4-1/2 to 6-1/2
SLF-ADA-2231-A-GR	22 x 31	16 x 28	4-1/2 to 6-1/2
SLF-ADA-2233-A-GR <sup>4</sup>	22 x 33	16 x 28	4-1/2 to 6-1/2

**ADA COMPLIANT - SINGLE BOWL - 18 GAUGE - NO LEDGE**

Model No.	O.D.1	I.D.2	*Depth
S-ADA-1313-A-GR <sup>5</sup>	13 x 13	10 x 10	4-1/2 to 6-1/2
S-ADA-14519-A-GR	14-1/2 x 19	11-1/2 x 16	4-1/2 to 6-1/2
S-ADA-1515-A-GR	15 x 15	12 x 12	4-1/2 to 6-1/2
S-ADA-1717-A-GR	17 x 17	14 x 14	4-1/2 to 6-1/2
S-ADA-1719-A-GR	17 x 19	14 x 16	4-1/2 to 6-1/2
S-ADA-1721-A-GR	17 x 21	14 x 18	4-1/2 to 6-1/2
S-ADA-1917-A-GR	19 x 17	16 x 14	4-1/2 to 6-1/2
S-ADA-1919-A-GR	19 x 19	16 x 16	4-1/2 to 6-1/2
S-ADA-1922-A-GR	19 x 22	16 x 19	4-1/2 to 6-1/2
S-ADA-1925-A-GR	19 x 25	16 x 22	4-1/2 to 6-1/2

**WITH INTEGRA-FLOW SYSTEM**

SF-ADA-1313-A-GR <sup>5</sup>	13 x 13	10 x 10	4-1/2 to 6-1/2
SF-ADA-14519-A-GR	14-1/2 x 19	11-1/2 x 16	4-1/2 to 6-1/2
SF-ADA-1515-A-GR	15 x 15	12 x 12	4-1/2 to 6-1/2
SF-ADA-1717-A-GR	17 x 17	14 x 14	4-1/2 to 6-1/2
SF-ADA-1719-A-GR	17 x 19	14 x 16	4-1/2 to 6-1/2
SF-ADA-1721-A-GR	17 x 21	14 x 18	4-1/2 to 6-1/2
SF-ADA-1917-A-GR	19 x 17	16 x 14	4-1/2 to 6-1/2
SF-ADA-1919-A-GR	19 x 19	16 x 16	4-1/2 to 6-1/2
SF-ADA-1922-A-GR	19 x 22	16 x 19	4-1/2 to 6-1/2
SF-ADA-1925-A-GR	19 x 25	16 x 22	4-1/2 to 6-1/2

STYLIST ADA COMPLIANT



All dimensions shown in inches.

- 1 O.D. - Overall Dimensions (Front-to-Back X Left-to-Right)
- 2 I.D. - Inside Dimensions (Front-to-Back X Left-to-Right)
- 3 Faucet flange 3-1/2
- 4 Side flanges 2-1/2
- 5 Drain punched centered



**SPECIFICATIONS - STYLIST GROUP A & B - 18 AND 20 GAUGE**

- JUST Stylist Group A, seamless die-drawn construction of 18 or 20 gauge type 304, 18-8, stainless steel
- Interior surfaces polished to a non-porous Satin blended No. 4 JUST finish, with highlighted bowl rim
- Smooth, fully coated underside insulates for sound and reduces condensation
- Straight-sided compartment with 1 3/4" radius corners provides greater capacity
- Self-rimming top mount Grip-Rim Plus with 300 series stainless steel mounting channels
- Conforms to ASME/ANSI A112.19.3M
- Drain punch #35 centered, for Just J-35 unless otherwise specified

**S-1717-A-GR-T**

Includes: JB-99 Drain



**SF-1719-A-GR-T**

Includes: J-35-FS Drain



**S-1925-B-GR-T**

Includes: JB-99 Drain



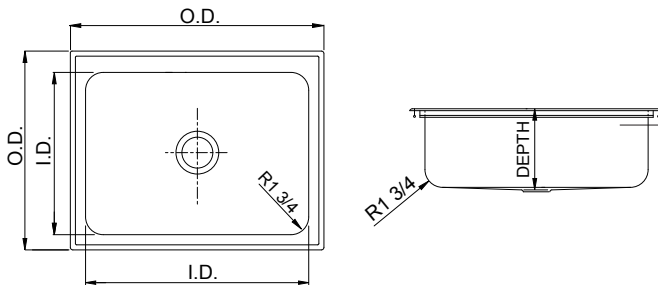
SINGLE BOWL - 18 GAUGE - STANDARD DEPTH			
Model No.	O.D.1	BOWL-I.D.2	Depth
S-1313-A-GR	13 x 13	10 x 10	7-1/2
S-14519-A-GR	14-1/2 x 19	11-1/2 x 16	7-1/2
S-1515-A-GR	15 x 15	12 x 12	7-1/2
S-1717-A-GR	17 x 17	14 x 14	7-1/2
S-1719-A-GR	17 x 19	14 x 16	8
S-1721-A-GR	17 x 21	14 x 18	7-1/2
S-1917-A-GR	19 x 17	16 x 14	8
S-1919-A-GR	19 x 19	16 x 16	7-1/2
S-1922-A-GR	19 x 22	16 x 19	7-1/2
S-1925-A-GR	19 x 25	16 x 22	8
S-1931-A-GR	19 x 31	16 x 28	8
S-2128-A-GR	21 x 28	18 x 25	7-1/2
S-2133-A-GR <sup>3</sup>	21 x 33	16 x 28	8



WITH INTEGRA-FLOW SYSTEM			
Model No.	O.D.1	BOWL-I.D.2	Depth
SF-1313-A-GR	13 x 13	10 x 10	7-1/2
SF-14519-A-GR	14-1/2 x 19	11-1/2 x 16	7-1/2
SF-1515-A-GR	15 x 15	12 x 12	7-1/2
SF-1717-A-GR	17 x 17	14 x 14	7-1/2
SF-1719-A-GR	17 x 19	14 x 16	8
SF-1721-A-GR	17 x 21	14 x 18	7-1/2
SF-1917-A-GR	19 x 17	16 x 14	8
SF-1919-A-GR	19 x 19	16 x 16	7-1/2
SF-1922-A-GR	19 x 22	16 x 19	7-1/2
SF-1925-A-GR	19 x 25	16 x 22	8
SF-1931-A-GR	19 x 31	16 x 28	8
SF-2128-A-GR	21 x 28	18 x 25	7-1/2
SF-2133-A-GR <sup>3</sup>	21 x 33	16 x 28	8

SINGLE BOWL - 20 GAUGE - STANDARD DEPTH			
Model No.	O.D.1	BOWL-I.D.2	Depth
S-1313-B-GR	13 x 13	10 x 10	7
S-14519-B-GR	14-1/2 x 19	11-1/2 x 16	7
S-1515-B-GR	15 x 15	12 x 12	7
S-1717-B-GR	17 x 17	14 x 14	7
S-1719-B-GR	17 x 19	14 x 16	7
S-1721-B-GR	17 x 21	14 x 18	7
S-1917-B-GR	19 x 17	16 x 14	7
S-1919-B-GR	19 x 19	16 x 16	7
S-1922-B-GR	19 x 22	16 x 19	7
S-1925-B-GR	19 x 25	16 x 22	7
S-1931-B-GR	19 x 31	16 x 28	7
S-2133-B-GR <sup>3</sup>	21 x 33	16 x 28	7

**S-SERIES 18 GAUGE-20 GAUGE**



All dimensions shown in inches.

1 O.D. - Overall Dimensions (Front-to-Back X Left-to-Right)

2 I.D. - Inside Dimensions (Front-to-Back X Left-to-Right)

3 Flange 2-1/2 on all 4 sides.



AVAILABLE - ADA COMPLIANT

These 18 gauge units are available ADA Compliant.

See page 40 for details. In type 316 only available 6 1/2" deep.

**OPTION: TYPE 316 MODELS - GREATER CORROSION RESISTANCE - 18 GAUGE ONLY**

The addition of molybdenum and increased nickel content makes these sinks even more resistant to corrosion caused by acids and other chemicals, as well as excellent resistance to oxidation. All are furnished with Stainless Steel Grip-Rim Plus self-rimming channels. Underside of bowls is completely sound deadened. Center punched for J-35 cup strainer, unless otherwise specified.



Recycled Stainless, The Value Option



All dimensions shown in inches.

SPECIFICATIONS - STYLIST GROUP A - 18 GAUGE

JUST Stylist Group A, seamless die-drawn construction of 18 gauge type 304, 18-8, stainless steel • Interior surfaces polished to a non-porous Satin blended No. 4 JUST finish, with highlighted bowl rim • Smooth, fully coated underside insulates for sound and reduces condensation • Straight-sided compartment with 1 3/4" radius corners provides greater capacity • Self-rimming top mount Grip-Rim Plus with 300 series stainless steel mounting channels • Conforms to ASME/ANSI A42.19.33 • Drain punch #35 for Just J-35 unless otherwise specified

SLX-2225-A-GR-T

Includes: JTR-51 Faucet, JHDD-2000 Commercial Grade soap dispenser, JB-99 Drain



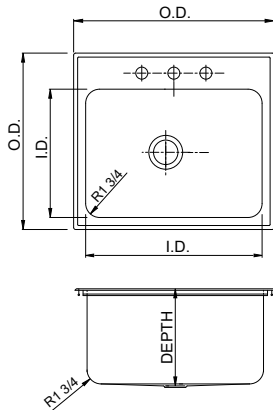
SX-1922-A-GR-T

Includes: J-35-SSF Drain

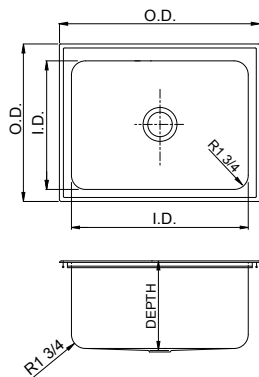


SINGLE BOWL - 18 GAUGE - EXTRA DEEP			
Model No.	O.D.1	I.D.2	Depth
SLX-1617-A-GR	16 x 17	10 x 14	10
SLX-17519-A-GR	17-1/2 x 19	11-1/2 x 16	10-1/2
SLX-1815-A-GR	18 x 15	12 x 12	9
SLX-1921-A-GR <sup>3</sup>	19 x 21	14 x 18	10-1/2
SLX-2017-A-GR	20 x 17	14 x 14	10-1/2
SLX-2019-A-GR	20 x 19	14 x 16	10-1/2
SLX-2125-A-GR <sup>3</sup>	21 x 25	16 x 22	10-1/2
SLX-2133-A-GR <sup>3-4</sup>	21 x 33	16 x 28	10-1/2
SLX-2217-A-GR	22 x 17	16 x 14	10-1/2
SLX-2219-A-GR	22 x 19	16 x 16	10-1/2
SLX-2222-A-GR	22 x 22	16 x 19	10-1/2
SLX-2225-A-GR	22 x 25	16 x 22	10-1/2
SLX-2231-A-GR	22 x 31	16 x 28	10-1/2
SLX-2233-A-GR <sup>4</sup>	22 x 33	16 x 28	10-1/2
SLXD-1921-A-GR <sup>3</sup>	19 x 21	14 x 18	12
SLXD-2019-A-GR	20 x 19	14 x 16	12
SLXD-2125-A-GR <sup>3</sup>	21 x 25	16 x 22	12
SLXD-2133-A-GR <sup>3-4</sup>	21 x 33	16 x 28	12
SLXD-2217-A-GR	22 x 17	16 x 14	12
SLXD-2219-A-GR	22 x 19	16 x 16	12
SLXD-2222-A-GR	22 x 22	16 x 19	12
SLXD-2225-A-GR	22 x 25	16 x 22	12
SLXD-2231-A-GR	22 x 31	16 x 28	12
SLXD-2233-A-GR <sup>4</sup>	22 x 33	16 x 28	12

SLX-SLXD SERIES 18 GAUGE



SX-SXD SERIES 18 GAUGE



SINGLE BOWL - 18 GAUGE - NO LEDGE			
Model No.	O.D.1	I.D.2	Depth
SX-1515-A-GR	15 x 15	12 x 12	9
SX-1717-A-GR	17 x 17	14 x 14	10-1/2
SX-1719-A-GR	17 x 19	14 x 16	10-1/2
SX-1721-A-GR	17 x 21	14 x 18	10-1/2
SX-1917-A-GR	19 x 17	16 x 14	10-1/2
SX-1919-A-GR	19 x 19	16 x 16	10-1/2
SX-1922-A-GR	19 x 22	16 x 19	10-1/2
SX-1925-A-GR	19 x 25	16 x 22	10-1/2
SX-1931-A-GR	19 x 31	16 x 28	10-1/2
SX-2133-A-GR <sup>5</sup>	21 x 33	16 x 28	10-1/2
SXD-1719-A-GR	17 x 19	14 x 16	12
SXD-1917-A-GR	19 x 17	16 x 14	12
SXD-1919-A-GR	19 x 19	16 x 16	12
SXD-1922-A-GR	19 x 22	16 x 19	12
SXD-1925-A-GR	19 x 25	16 x 22	12
SXD-1931-A-GR	19 x 31	16 x 28	12
SXD-2133-A-GR <sup>5</sup>	21 x 33	16 x 28	12

1 O.D. - Overall Dimensions (Front-to-Back X Left-to-Right)  
 2 I.D. - Inside Dimensions (Front-to-Back X Left-to-Right)  
 3 Faucet flange 3-1/2.  
 4 Side flanges 2-1/2. Front flange 1-1/2.  
 5 Flanges 2-1/2 on all four sides.

OPTION: TYPE 316 MODELS - GREATER CORROSION RESISTANCE - 18 GAUGE ONLY

The addition of molybdenum and increased nickel content makes these sinks even more resistant to corrosion caused by acids and other chemicals, as well as excellent resistance to oxidation. All are furnished with Stainless Steel Grip-Rim Plus self-rimming channels. Underside of bowls is completely sound deadened. Center punched for J-35 cup strainer, unless otherwise specified.

All dimensions shown in inches.



**SPECIFICATIONS - STYLIST GROUP B - 20 GAUGE**

- JUST Stylist Group B, seamless die-drawn construction of 20 gauge type 304, 18-8, stainless steel
- Interior surfaces polished to a non-porous Satin blended No. 4 JUST finish, with highlighted bowl rim
- Smooth fully coated underside insulates for sound and reduces condensation
- Straight-sided sink bowl with 1 3/4" radius corners provides greater capacity
- Self-rimming top mount Grip-Rim Plus with 300 series stainless steel mounting channels
- Conforms to ASME/ANSI A112.19.3M
- Drain punch for Just J-35 unless otherwise specified

**SL17519-B-GR-T**

Includes: JV-174-A Faucet, J-35 Drain



**SL1921-B-GR-T**

Includes: JTR-51-W Faucet, J-35-SSF Drain



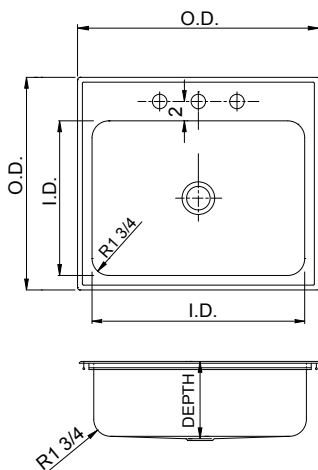
**SL-2225-B-GR-T**

Includes: JWF-201 Faucet, JB-99 Drain



SINGLE BOWL - 20 GAUGE - STANDARD DEPTH			
Model No.	O.D.1	BOWL-I.D.2	Depth
LSM-13519-B-GR	13-1/2 x 19	7-1/2 x 16	5-1/4
SL-1515-B-GR	15 x 15	9 x 12	6
SL-1613-B-GR	16 x 13	10 x 10	7
SL-1617-B-GR	16 x 17	10 x 14	7
SL-17519-B-GR	17-1/2 x 19	11-1/2 x 16	7
SL-1815-B-GR	18 x 15	12 x 12	7
SL-1921-B-GR <sup>3</sup>	19 x 21	14 x 18	7
SL-2017-B-GR	20 x 17	14 x 14	7
SL-2019-BGR	20 x 19	14 x 16	7
SL-2117-B-GR <sup>3</sup>	21 x 17	16 x 14	7
SL-2119-B-GR <sup>3</sup>	21 x 19	16 x 16	7
SL-2122-B-GR <sup>3</sup>	21 x 22	16 x 19	7
SL-2125-B-GR <sup>3</sup>	21 x 25	16 x 22	7
SL-2131-B-GR <sup>3</sup>	21 x 31	16 x 28	7
SL-2133-B-GR <sup>3-4</sup>	21 x 33	16 x 28	7
SL-22145-B-GR	22 x 14-1/2	16 x 11-1/2	7
SL-2217-B-GR	22 x 17	16 x 14	7
SL-2219-B-GR	22 x 19	16 x 16	7
SL-2222-B-GR	22 x 22	16 x 19	7
SL-2225-B-GR	22 x 25	16 x 22	7
SL-2231-B-GR	22 x 31	16 x 28	7
SL-2233-B-GR <sup>4</sup>	22 x 33	16 x 28	7

**SL-SERIES 20 GAUGE**



1 O.D. - Overall Dimensions (Front-to-Back X Left-to-Right)  
 2 I.D. - Inside Dimensions (Front-to-Back X Left-to-Right)  
 3 Faucet flange 3-1/2.  
 4 Side flanges 2-1/2. Front flange 1-1/2.



Recycled Stainless, The Value Option



All dimensions shown in inches.

SPECIFICATIONS - STYLIST GROUP A - 18 GAUGE

- JUST Stylist Group A, seamless die-drawn construction of 18 gauge type 304, 18-8, stainless steel
- Interior surfaces polished to a non-porous Satin blended No. 4 JUST finish, with highlighted bowl rim
- Smooth, fully coated underside insulates for sound and reduces condensation
- Straight-sided compartment with 1 3/4" radius corners provides greater capacity
- Self-rimming top mount Grip-Rim Plus with 300 series stainless steel mounting channels
- Conforms to ASME/ANSI A112.19.3M
- Drain punch #35 centered, for Just J-35/JB-99 unless otherwise specified

TYPE 316 Most JUST Stylist 18 gauge models are available in type 316 Stainless Steel, which offers greater corrosion resistance in harsh environments.

DL-2233-A-GR-T

Includes: JWF-201 Faucet with Spray, JB-99 Drains



DLF-1625-A-GR-T

Includes: JTR-51-R70-W4 Faucet, JB-99 Drains

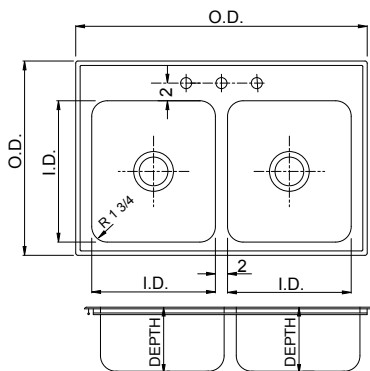


DL-2243-A-GR-T

Includes: J-1174-KS Faucet, JB-99 Drains



DL-SERIES 18 GAUGE



DOUBLE BOWLS - WITH FAUCET LEDGE - STD DEPTH

Model No.	O.D.1	I.D.2	Depth
DL-1625-A-GR	16 x 25	10 x 10	7-1/2
DL-17537-A-GR	17-1/2 x 37	11-1/2 x 16	7-1/2
DL-1829-A-GR	18 x 29	12 x 12	7-1/2
DL-1925-A-GR <sup>3</sup>	19 x 25	14 x 10	7-1/2
DL-1933-A-GR <sup>3-4</sup>	19 x 33	14 x 14	7-1/2
DL-2025-A-GR	20 x 25	14 x 10	7-1/2
DL-2037-A-GR	20 x 37	14 x 16	8
DL-2128-A-GR <sup>3</sup>	21 x 28	16 x 11-1/2	7-1/2
DL-2133-A-GR <sup>3-4</sup>	21 x 33	16 x 14	8
DL-2137-A-GR <sup>3</sup>	21 x 37	16 x 16	7-1/2
DL-2143-A-GR <sup>3</sup>	21 x 43	16 x 19	7-1/2
DL-2228-A-GR	22 x 28	16 x 11-1/2	7-1/2
DL-2233-A-GR <sup>4</sup>	22 x 33	16 x 14	8
DL-2237-A-GR	22 x 37	16 x 16	7-1/2
DL-2243-A-GR	22 x 43	16 x 19	7-1/2
DL-2249-A-GR	22 x 49	16 x 22	8
DL-2261-A-GR	22 x 61	16 x 28	8

WITH INTEGRA-FLOW SYSTEM

DLF-1625-A-GR	16 x 25	10 x 10	7-1/2
DLF-17537-A-GR	17-1/2 x 37	11-1/2 x 16	7-1/2
DLF-1829-A-GR	18 x 29	12 x 12	7-1/2
DLF-1925-A-GR <sup>3</sup>	19 x 25	14 x 10	7-1/2
DLF-1933-A-GR <sup>3-4</sup>	19 x 33	14 x 14	7-1/2
DLF-2025-A-GR	20 x 25	14 x 10	7-1/2
DLF-2037-A-GR	20 x 37	14 x 16	8
DLF-2128-A-GR <sup>3</sup>	21 x 28	16 x 11-1/2	7-1/2
DLF-2133-A-GR <sup>3-4</sup>	21 x 33	16 x 14	8
DLF-2137-A-GR <sup>3</sup>	21 x 37	16 x 16	7-1/2
DLF-2143-A-GR <sup>3</sup>	21 x 43	16 x 19	7-1/2
DLF-2228-A-GR	22 x 28	16 x 11-1/2	7-1/2
DLF-2233-A-GR <sup>4</sup>	22 x 33	16 x 14	8
DLF-2237-A-GR	22 x 37	16 x 16	7-1/2
DLF-2243-A-GR	22 x 43	16 x 19	7-1/2
DLF-2249-A-GR	22 x 49	16 x 22	8
DLF-2261-A-GR	22 x 61	16 x 28	8

1 O.D. - Overall Dimensions (Front-to-Back X Left-to-Right)

2 I.D. - Inside Dimensions (Front-to-Back X Left-to-Right)

3 Faucet flange 3-1/2.

4 Side flanges 1-15/16. Partition 1-1/8.



AVAILABLE - ADA COMPLIANT

These 18 gauge units are available ADA Compliant.

See page 10 for details. In type 316, only available 6 1/2" deep. Consult factory for optional depths.



**SPECIFICATIONS - ADA COMPLIANT - 18 GAUGE**

- JUST ADA Stylist Group A, seamless die-drawn construction of 18 gauge type 304, 18-8, stainless steel
- Interior surfaces polished to a non-porous Satin blended No. 4 JUST finish, with highlighted bowl rim
- Smooth, fully coated underside insulates for sound and reduces condensation
- Straight-sided compartment with 1 3/4" radius corners provides greater capacity
- Self-rimming top mount Grip-Rim Plus with 300 series stainless steel mounting channels
- Conforms to ASME/ANSI A112.19.3M
- Drain punch #35 centered at rear, for Just J-35 unless otherwise specified

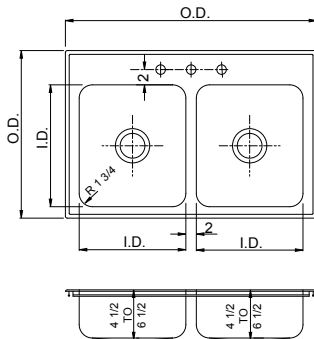
Bowl depths available 4-1/2" Through 6-1/2", in 1/2" increments. Specify depth. Specify drain location on all ADA Compliant sinks; center / left rear / right rear or center rear location. Unless otherwise specified drain location is centered at rear of bowl.

**DL-ADA-2243-A-GR-T**

- Includes (1) J-1174-KS ADA Compliant Faucet (2) J-ADA-35 Drain system



**DL-ADA SERIES**

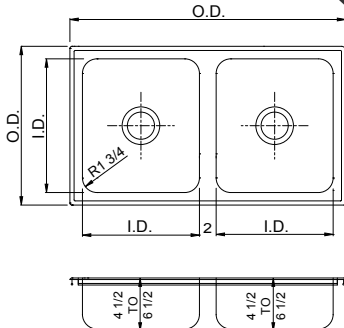


**D-ADA-1933-A-GR-T**

- Includes: 2, J-35 Drains



**D-ADA SERIES**



TYPE 316 Most JUST Stylist 18 gauge models are available in type 316 Stainless Steel, which offers greater corrosion resistance in harsh environments.

**ADA COMPLIANT - DOUBLE BOWL - WITH FAUCET LEDGE- 18 GAUGE**

Model No.	O.D.1	I.D.2	Depth
DL-ADA-1625-A-GR	16 x 25	10 x 10	4-1/2 to 6-1/2
DL-ADA-17537-A-GR	17-1/2 x 37	11-1/2 x 16	4-1/2 to 6-1/2
DL-ADA-1829-A-GR	18 x 29	12 x 12	4-1/2 to 6-1/2
DL-ADA-1925-A-GR <sup>3</sup>	19 x 25	14 x 10	4-1/2 to 6-1/2
DL-ADA-1933-A-GR <sup>3,4</sup>	19 x 33	14 x 14	4-1/2 to 6-1/2
DL-ADA-2025-A-GR	20 x 25	14 x 10	4-1/2 to 6-1/2
DL-ADA-2037-A-GR	20 x 37	14 x 16	4-1/2 to 6-1/2
DL-ADA-2128-A-GR <sup>3</sup>	21 x 28	16 x 11-1/2	4-1/2 to 6-1/2
DL-ADA-2133-A-GR <sup>3,4</sup>	21 x 33	16 x 14	4-1/2 to 6-1/2
DL-ADA-2137-A-GR <sup>3</sup>	21 x 37	16 x 16	4-1/2 to 6-1/2
DL-ADA-2143-A-GR <sup>3</sup>	21 x 43	16 x 19	4-1/2 to 6-1/2
DL-ADA-2228-A-GR	22 x 28	16 x 11-1/2	4-1/2 to 6-1/2
DL-ADA-2233-A-GR <sup>4</sup>	22 x 33	16 x 14	4-1/2 to 6-1/2
DL-ADA-2237-A-GR	22 x 37	16 x 16	4-1/2 to 6-1/2
DL-ADA-2243-A-GR	22 x 43	16 x 19	4-1/2 to 6-1/2
DL-ADA-2249-A-GR	22 x 49	16 x 22	4-1/2 to 6-1/2
DL-ADA-2261-A-GR	22 x 61	16 x 28	4-1/2 to 6-1/2

**WITH INTEGRA-FLOW SYSTEM**

Model No.	O.D.1	I.D.2	Depth
DLF-ADA-1625-A-GR	16 x 25	10 x 10	4-1/2 to 6-1/2
DLF-ADA-17537-A-GR	17-1/2 x 37	11-1/2 x 16	4-1/2 to 6-1/2
DLF-ADA-1829-A-GR	18 x 29	12 x 12	4-1/2 to 6-1/2
DLF-ADA-1925-A-GR <sup>3</sup>	19 x 25	14 x 10	4-1/2 to 6-1/2
DLF-ADA-1933-A-GR <sup>3,4</sup>	19 x 33	14 x 14	4-1/2 to 6-1/2
DLF-ADA-2025-A-GR	20 x 25	14 x 10	4-1/2 to 6-1/2
DLF-ADA-2037-A-GR	20 x 37	14 x 16	4-1/2 to 6-1/2
DLF-ADA-2128-A-GR <sup>3</sup>	21 x 28	16 x 11-1/2	4-1/2 to 6-1/2
DLF-ADA-2133-A-GR <sup>3,4</sup>	21 x 33	16 x 14	4-1/2 to 6-1/2
DLF-ADA-2137-A-GR <sup>3</sup>	21 x 37	16 x 16	4-1/2 to 6-1/2
DLF-ADA-2143-A-GR <sup>3</sup>	21 x 43	16 x 19	4-1/2 to 6-1/2
DLF-ADA-2228-A-GR	22 x 28	16 x 11-1/2	4-1/2 to 6-1/2
DLF-ADA-2233-A-GR <sup>4</sup>	22 x 33	16 x 14	4-1/2 to 6-1/2
DLF-ADA-2237-A-GR	22 x 37	16 x 16	4-1/2 to 6-1/2
DLF-ADA-2243-A-GR	22 x 43	16 x 19	4-1/2 to 6-1/2
DLF-ADA-2249-A-GR	22 x 49	16 x 22	4-1/2 to 6-1/2
DLF-ADA-2261-A-GR	22 x 61	16 x 28	4-1/2 to 6-1/2

**ADA COMPLIANT - DOUBLE BOWL - 18 GAUGE - NO FAUCET LEDGE**

Model No.	O.D.1	I.D.2	Depth
D-ADA-1325-A-GR	13 x 25	10 x 10	4-1/2 to 6-1/2
D-ADA-1529-A-GR	15 x 29	12 x 12	4-1/2 to 6-1/2
D-ADA-1933-A-GR	19 x 33	16 x 14	4-1/2 to 6-1/2
D-ADA-1937-A-GR	19 x 37	16 x 16	4-1/2 to 6-1/2
D-ADA-1943-A-GR	19 x 43	16 x 19	4-1/2 to 6-1/2
D-ADA-1949-A-GR	19 x 49	16 x 22	4-1/2 to 6-1/2

**WITH INTEGRA-FLOW SYSTEM**

Model No.	O.D.1	I.D.2	Depth
DF-ADA-1325-A-GR	13 x 25	10 x 10	4-1/2 to 6-1/2
DF-ADA-1529-A-GR	15 x 29	12 x 12	4-1/2 to 6-1/2
DF-ADA-1933-A-GR	19 x 33	16 x 14	4-1/2 to 6-1/2
DF-ADA-1937-A-GR	19 x 37	16 x 16	4-1/2 to 6-1/2
DF-ADA-1943-A-GR	19 x 43	16 x 19	4-1/2 to 6-1/2
DF-ADA-1949-A-GR	19 x 49	16 x 22	4-1/2 to 6-1/2

- 1 O.D. - Overall Dimensions (Front-to-Back X Left-to-Right)
- 2 I.D. - Inside Dimensions (Front-to-Back X Left-to-Right)
- 3 Faucet flange 3-1/2.
- 4 Side flanges 1-15/16. Partition 1-1/8.



Recycled Stainless, The Value Option

All dimensions shown in inches.

STYLIST GROUP ADA COMPLIANT

SPECIFICATIONS - STYLIST GROUP A - 18 GAUGE - 20 GAUGE

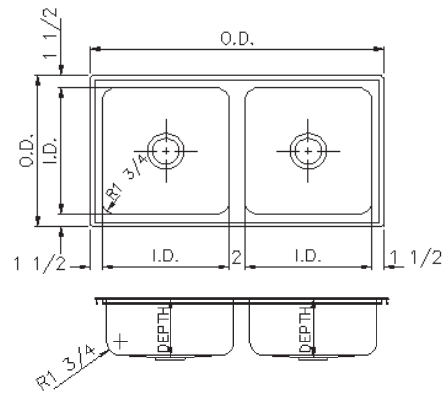
- JUST Stylist Group A, seamless die-drawn construction of 18 gauge type 304, 18-8, stainless steel
- Interior surfaces polished to a non-porous Satin blended No. 4 JUST finish, with highlighted bowl rim
- Fully coated underside insulates for sound and reduces condensation
- Straight-sided compartment with 1 3/4" radius corners provides greater capacity
- Self-rimming top mount Grip-Rim Plus with 300 series stainless steel mounting channels
- Conforms to ASME/ANSI A112.19.3M
- Sink punched #35 centered, for Just J-35 unless otherwise specified

D-1933-A-GR-T

Includes: 2, J-35 Drains



D-SERIES 18 GAUGE-20 GAUGE



DF-1943-A-GR-T

Includes: 2, JBRC-94 Remote control pop-up drains

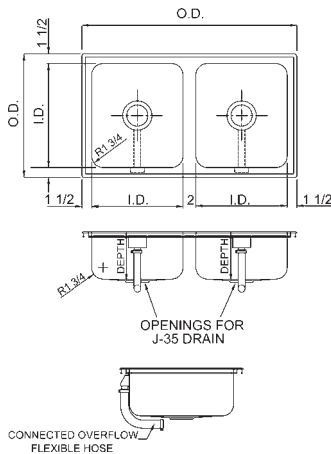


DOUBLE BOWL - 18 GAUGE - STANDARD DEPTH			
Model No.	O.D.1	I.D.2	Depth
D-1325-A-GR	13 x 25	10 x 10	7-1/2
D-1529-A-GR	15 x 29	12 x 12	7-1/2
D-1933-A-GR	19 x 33	16 x 14	8
D-1937-A-GR	19 x 37	16 x 16	7-1/2
D-1943-A-GR	19 x 43	16 x 19	7-1/2
D-1949-A-GR	19 x 49	16 x 22	8

WITH INTEGRA-FLOW SYSTEM			
Model No.	O.D.1	I.D.2	Depth
DF-1325-A-GR	13 x 25	10 x 10	7-1/2
DF-1529-A-GR	15 x 29	12 x 12	7-1/2
DF-1933-A-GR	19 x 33	16 x 14	8
DF-1937-A-GR	19 x 37	16 x 16	7-1/2
DF-1943-A-GR	19 x 43	16 x 19	7-1/2
DF-1949-A-GR	19 x 49	16 x 22	8

DF-SERIES 18 GAUGE



DOUBLE BOWL - 20 GAUGE			
Model No.	O.D.1	I.D.2	Depth
D-1325-B-GR	13 x 25	10 x 10	7
D-1529-B-GR	15 x 29	12 x 12	7
D-1933-B-GR	19 x 33	16 x 14	7
D-1937-B-GR	19 x 37	16 x 16	7
D-1943-B-GR	19 x 43	16 x 19	7
D-1949-B-GR	19 x 49	16 x 22	7

SPECIFIERS NOTE: ADA Compliant, Type 316 Bowls are available 6-1/2 deep only. Specify as such.



AVAILABLE - ADA COMPLIANT  
Just Stylist Group A is available in sizes required in order to comply with the Americans with Disability Act (ADA). Bowl depths range from 4 1/2" through 6 1/2", which must be specified at time of order placement. Model numbers change to include ADA in the prefix, i.e. D-1933-A-GR becomes D-ADA-1933-A-GR (depth required). See page 10 for details.

OPTION: TYPE 316 MODELS - GREATER CORROSION RESISTANCE - 18 GAUGE ONLY

The addition of molybdenum and increased nickel content makes these sinks even more resistant to corrosion caused by acids and other chemicals, as well as excellent resistance to oxidation. All are furnished with Stainless Steel Grip-Rim Plus self-rimming channels. Underside of bowls is completely sound deadened. Center punched for J-35 cup strainer, unless otherwise specified.



All dimensions shown in inches.



**SPECIFICATIONS - STYLIST GROUP A - 18 GAUGE MAX CAPACITY**

- JUST Stylist Group A, seamless die-drawn construction of 18 gauge type 304, 18-8, stainless steel
- Interior surfaces polished to a non-porous Satin blended No. 4 JUST finish, with highlighted bowl rim
- Fully coated underside insulates for sound and reduces condensation
- Straight-sided sink bowl with 1 3/4" radius corners provides greater capacity
- Self-rimming top mount Grip-Rim Plus with 300 series stainless steel mounting channels
- Conforms to ASME/ANSI A112.19.3M
- Drain punch #35 for Just J-35 unless otherwise specified

**DLXD-2237-A-GR-T**

Includes: JWF-201  
Faucet with Spray,  
JB-99 Drains



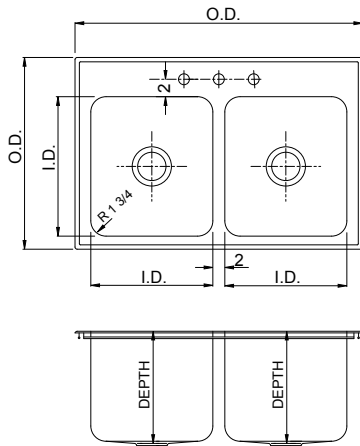
**DXD-1943-A-GR-T**

Includes: 2, JBRC-94 Remote  
control Pop-up drains

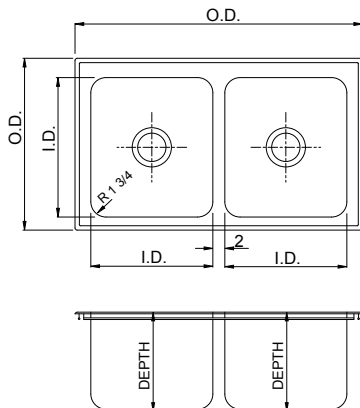


TYPE 316 Most JUST Stylist 18 gauge models are available in type 316 Stainless Steel, which offers greater corrosion resistance in harsh environments. See Page 8 for further information.

**DLX-DLXD SERIES 18 GAUGE**



**DX-DXD SERIES 18 GAUGE**



**DOUBLE BOWL - 18 GAUGE - EXTRA DEEP**

	O.D.1	I.D.2	Depth
DLX-1829-A-GR	18 x 29	12 x 12	9
DLX-1925-A-GR <sup>3</sup>	19 x 25	14 x 10	10
DLX-1933-A-GR <sup>3-4</sup>	19 x 33	14 x 14	10-1/2
DLX-2025-A-GR	20 x 25	14 x 10	10
DLX-2133-A-GR <sup>3-4</sup>	21 x 33	16 x 14	10-1/2
DLX-2233-A-GR <sup>4</sup>	22 x 33	16 x 14	10-1/2
DLX-2237-A-GR	22 x 37	16 x 16	10-1/2
DLX-2243-A-GR	22 x 43	16 x 19	10-1/2
DLX-2249-A-GR	22 x 49	16 x 22	10-1/2
DLX-2261-A-GR	22 x 61	16 x 28	10-1/2
DLXD-2133-A-GR <sup>3-4</sup>	21 x 33	16 x 14	12
DLXD-2233-A-GR <sup>4</sup>	22 x 33	16 x 14	12
DLXD-2237-A-GR	22 x 37	16 x 16	12
DLXD-2243-A-GR	22 x 43	16 x 19	12
DLXD-2249-A-GR	22 x 49	16 x 22	12
DLXD-2261-A-GR	22 x 61	16 x 28	12

**DOUBLE BOWL - 18 GAUGE - NO LEDGE - EXTRA DEEP**

Model No.	O.D.1	I.D.2	Depth
DX-1529-A-GR	15 x 29	12 x 12	9
DX-1933-A-GR	19 x 33	16 x 14	10-1/2
DX-1937-A-GR	19 x 37	16 x 16	10-1/2
DX-1943-A-GR	19 x 43	16 x 19	10-1/2
DX-1949-A-GR	19 x 49	16 x 22	10-1/2
DXD-1933-A-GR	19 x 33	16 x 14	12
DXD-1937-A-GR	19 x 37	16 x 16	12
DXD-1943-A-GR	19 x 43	16 x 19	12
DXD-1949-A-GR	19 x 49	16 x 22	12

1 O.D. - Overall Dimensions (Front-to-Back X Left-to-Right)

2 I.D. - Inside Dimensions (Front-to-Back X Left-to-Right)

3 Faucet flange 3-1/2.

4 Side flanges 1-15/16. Partition 1-1/8.



Recycled Stainless, The Value Option



All dimensions shown in inches.

SPECIFICATIONS - STYLIST GROUP B - 20 GAUGE

- JUST Stylist Group B, seamless die-drawn construction of 20 gauge type 304, 18-8, stainless steel
- Interior surfaces polished to a non-porous Satin blended No. 4 JUST finish, with highlighted bowl rim
- Fully coated underside insulates for sound and reduces condensation
- Straight-sided sink bowl with 1 3/4" radius corners provides greater capacity
- Self-rimming top mount Grip-Rim Plus with 300 series stainless steel mounting channels
- Conforms to ASME/ANSI A112.19.3M
- Sink punched #35 for Just J-35/JB-99 unless otherwise specified

DL-1925-B-GR-T

Includes: JTR-51 Faucet, J-35 Drains



DL-2228-B-GR-T

Includes: JGN-5 Faucet, JB-99 Drain



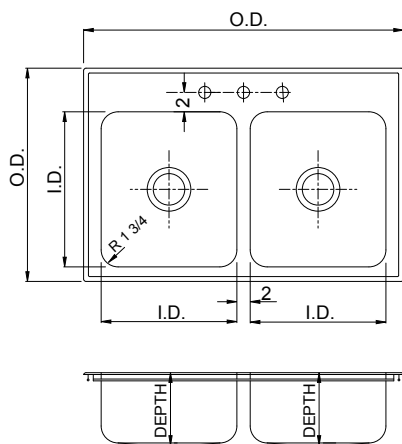
DL-2133-B-GR-T

Includes: JWF-201 Faucet, JB-99 Drain



DOUBLE BOWL - 20 GAUGE			
Model No.	O.D.1	I.D.2	Depth
DL-1625-B-GR	16 x 25	10 x 10	7
DL-17537-B-GR	17-1/2 x 37	11-1/2 x 16	7
DL-1829-B-GR	18 x 29	12 x 12	7
DL-1925-B-GR <sup>3</sup>	19 x 25	14 x 10	7
DL-1933-B-GR <sup>3,4</sup>	19 x 33	14 x 14	7
DL-2025-B-GR	20 x 25	14 x 10	7
DL-2037-B-GR	20 x 37	14 x 16	7
DL-2128-B-GR <sup>3</sup>	21 x 28	16 x 11-1/2	7
DL-2133-B-GR <sup>3,4</sup>	21 x 33	16 x 14	7
DL-2137-B-GR <sup>3</sup>	21 x 37	16 x 16	7
DL-2143-B-GR <sup>3</sup>	21 x 43	16 x 19	7
DL-2228-B-GR	22 x 28	16 x 11-1/2	7
DL-2233-B-GR <sup>4</sup>	22 x 33	16 x 14	7
DL-2237-B-GR	22 x 37	16 x 16	7
DL-2243-B-GR	22 x 43	16 x 19	7

DL-SERIES 20 GAUGE



- 1 O.D. - Overall Dimensions (Front-to-Back X Left-to-Right)
- 2 I.D. - Inside Dimensions (Front-to-Back X Left-to-Right)
- 3 Faucet flange 3-1/2.
- 4 Side flanges 1-15/16. Partition 1-1/8.



All dimensions shown in inches.



**SPECIFICATIONS - STYLIST GROUP A - 18 GAUGE COMMERCIAL GRADE**

- JUST Stylist Group A, seamless die-drawn construction of 18 gauge type 304, 18-8, stainless steel
- Interior surfaces polished to a non-porous Satin blended No. 4 JUST finish, with highlighted bowl rim
- Smooth, fully coated underside insulates for sound and reduces condensation
- Straight-sided compartment with 1 3/4" radius corners provides greater capacity
- Self-rimming top mount Grip-Rim Plus with 300 series stainless steel mounting channels
- Conforms to ASME/ANSI A112.19.3M
- Drain punch #35 for Just J-35 unless otherwise specified

**TL-2249-A-GR-T**

Includes: 2, JWF-200 Faucets, 3, JB-99 Drains



**T-1955-A-GR-T**

Includes: 3, JBRC-94 Remote control Pop-up drains



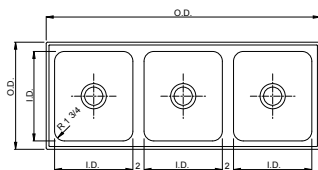
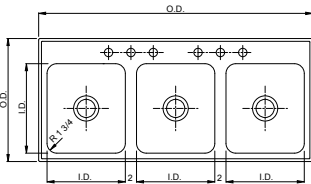
**TXD-1955-A-GR-T**

Includes: 3, JBRC-94 Remote control Pop-up drains



TL-TLX-TLXD SERIES

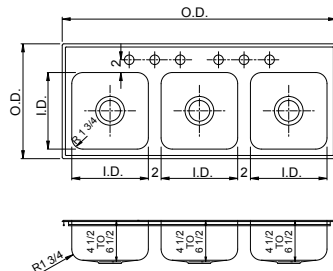
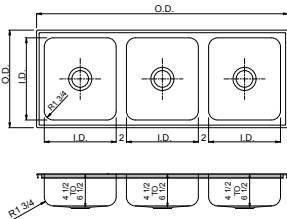
T-TX-TXD SERIES



TRIPLE COMPARTMENT ADA

T-ADA SERIES 18 GAUGE

TL-ADA SERIES 18 GAUGE



**OPTION: TYPE 316**

Most JUST Stylist 18 gauge models are available in type 316 Stainless Steel, which offers greater corrosion resistance in harsh environments.



Recycled Stainless, The Value Option

**TRIPLE BOWL - 18 GAUGE - LEDGEBACK STANDARD - EXTRA DEEP**

Model No.	O.D.1	I.D.2	Depth
TL-1843-A-GR	18 x 43	12 x 12	7-1/2
TL-2249-A-GR	22 x 49	16 x 14	8
TL-2255-A-GR	22 x 55	16 x 16	7-1/2
TL-2264-A-GR	22 x 64	16 x 19	7-1/2
TL-2273-A-GR	22 x 73	16 x 22	7-1/2
TLX-1843-A-GR	18 x 43	12 x 12	9
TLX-2249-A-GR	22 x 49	16 x 14	10-1/2
TLX-2255-A-GR	22 x 55	16 x 16	10-1/2
TLX-2264-A-GR	22 x 64	16 x 19	10-1/2
TLX-2273-A-GR	22 x 73	16 x 22	10-1/2
TLXD-2255-A-GR	22 x 55	16 x 16	12
TLXD-2264-A-GR	22 x 64	16 x 19	12
TLXD-2273-A-GR	22 x 73	16 x 22	12

**TRIPLE BOWL - 18 GAUGE - NO LEDGE STANDARD - EXTRA DEEP**

Model No.	O.D.1	I.D.2	Depth
T-1543-A-GR	15 x 43	12 x 12	7-1/2
T-1949-A-GR	19 x 49	16 x 14	7-1/2
T-1955-A-GR	19 x 55	16 x 16	7-1/2
TX-1543-A-GR	15 x 43	12 x 12	9
TX-1949-A-GR	19 x 49	16 x 14	10-1/2
TX-1955-A-GR	19 x 55	16 x 16	10-1/2
TXD-1955-A-GR	19 x 55	16 x 16	12

**ADA COMPLIANT - W/O FAUCET LEDGE - TRIPLE BOWL - 18 GAUGE**

Model No.	O.D.1	I.D.2	Depth
T-ADA-1543-A-GR	15 x 43	12 x 12	4-1/2 to 6-1/2
T-ADA-1949-A-GR	19 x 49	16 x 14	4-1/2 to 6-1/2

**ADA COMPLIANT - WITH FAUCET LEDGE - TRIPLE BOWL - 18 GAUGE**

Model No.	O.D.1	I.D.2	Depth
TL-ADA-1843-A-GR	18 x 43	12 x 12	4-1/2 to 6-1/2
TL-ADA-2249-A-GR	22 x 49	16 x 14	4-1/2 to 6-1/2
TL-ADA-2255-A-GR	22 x 55	16 x 16	4-1/2 to 6-1/2

1 O.D. - Overall Dimensions (Front-to-Back X Left-to-Right)  
2 I.D. - Inside Dimensions (Front-to-Back X Left-to-Right)



All dimensions shown in inches.

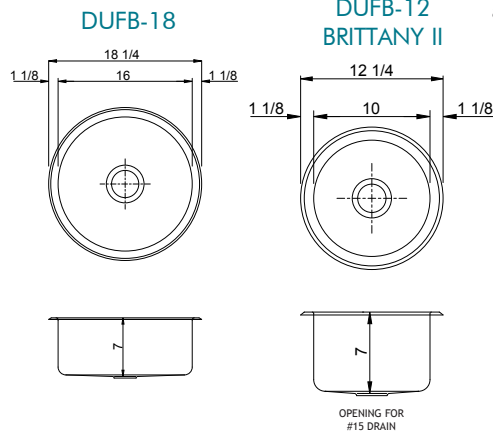
STYLIST GROUP A

## SPECIFICATIONS - UNDERMOUNT GROUP A - 18 GAUGE

- JUST Stylist Group A, seamless die-drawn construction of 18 gauge type 304, 18-8, stainless steel
- Interior surfaces polished to a non-porous Satin blended No. 4 JUST finish
- Fully coated underside insulates for sound and reduces condensation
- Straight-sided compartment provides greater capacity (not applicable to lavatories)
- Conforms to ASME/ANSI A112.19.3M
- Drain punch #35 unless otherwise specified

### DUFB-18 BRITTANY I-T

Includes: JGN-600 single hole gooseneck faucet and JDP-35 drop post drain. 18 gauge type 304 stainless steel

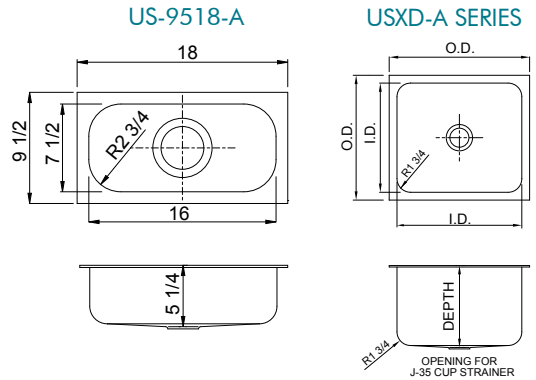


### US-1821-A-T

Includes: JTR-51 faucet, JHDD-2000 soap dispenser and JB-99 drain.



### US-A SERIES USX-A SERIES USXD-A SERIES



### UNDERMOUNT ROUND BAR SINKS - 18 GAUGE

Model No.	O.D.1	I.D.2	Depth
DUFB-12	12-1/4	10	7
DUFB-18	18-1/4	16	7

TYPE 316 Most JUST Stylist 18 gauge models are available in type 316 Stainless Steel, which offers greater corrosion resistance in harsh environments.

### UNDERMOUNT SINGLE BOWL - 18 GAUGE - STD DEPTH

Model No.	O.D.1	I.D.2	Depth
US-13518-A	13-1/2 x 18	11-1/2 x 16	7-1/2
US-1414-A	14 x 14	12 x 12	7-1/2
US-1616-A	16 x 16	14 x 14	7-1/2
US-1618-A	16 x 18	14 x 16	8
US-1620-A	16 x 20	14 x 18	7-1/2
US-1818-A	18 x 18	16 x 16	7-1/2
US-1821-A	18 x 21	16 x 19	7-1/2
US-1824-A	18 x 24	16 x 22	8
US-1830-A	18 x 30	16 x 28	8

### WITH INTEGRA-FLOW SYSTEM

USF-13518-A	13-1/2 x 18	11-1/2 x 16	7-1/2
USF-1414-A	14 x 14	12 x 12	7-1/2
USF-1616-A	16 x 16	14 x 14	7-1/2
USF-1618-A	16 x 18	14 x 16	8
USF-1620-A	16 x 20	14 x 18	7-1/2
USF-1818-A	18 x 18	16 x 16	7-1/2
USF-1821-A	18 x 21	16 x 19	7-1/2
USF-1824-A	18 x 24	16 x 22	8
USF-1830-A	18 x 30	16 x 28	8

### AVAILABLE - ADA COMPLIANT SEE PAGE 18

JUST Undermount Group A is available in sizes required to comply with the Americans with Disabilities Act (ADA). Bowl depths range from 4-1/2" through 5-1/2", which must be specified at time of order placement. Deck thickness must be factored in when measuring clearance from floor to bottom of sink. Model numbers change to include "ADA" in the prefix, i.e. US-1824-A becomes US-ADA-1824-A (depth required).



### UNDERMOUNT SINGLE BOWL - 18 GAUGE - DEEP AND EXTRA DEEP

Model No.	O.D.1	I.D.2	Depth
USX-1414-A	14 x 14	12 x 12	9
USX-1616-A	16 x 16	14 x 14	10-1/2
USX-1618-A	16 x 18	14 x 16	10-1/2
USX-1620-A	16 x 20	14 x 18	10-1/2
USX-1818-A	18 x 18	16 x 16	10-1/2
USX-1821-A	18 x 21	16 x 19	10-1/2
USX-1824-A	18 x 24	16 x 22	10-1/2
USX-1830-A	18 x 30	16 x 28	10-1/2
USXD-1818-A	18 x 18	16 x 16	12
USXD-1821-A	18 x 21	16 x 19	12
USXD-1824-A	18 x 24	16 x 22	12
USXD-1830-A	18 x 30	16 x 28	12

### UNDERMOUNT BAR SINKS - 18 GAUGE - STD DEPTH

Model No.	O.D.1	I.D.2	Depth
US-1114-A	11 x 14	9 x 12	6
US-9518-A	9-1/2 x 18	7-1/2 x 16	5-1/4
US-1212-A	12 x 12	10 x 10	7-1/2

### WITH INTEGRA-FLOW SYSTEM

USF-1114-A	11 x 14	9 x 12	6
USF-9518-A	9-1/2 x 18	7-1/2 x 16	5-1/4
USF-1212-A	12 x 12	10 x 10	7-1/2





**SPECIFICATIONS - UNDERMOUNT GROUP A - 18 GAUGE**

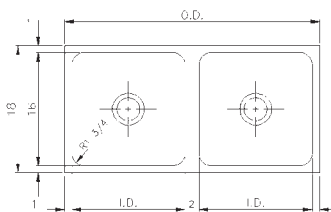
- JUST Undermount Group A, seamless die-drawn construction of 18 gauge type 304, 18-8, stainless steel
- Interior surfaces polished to a non-porous Satin blended No. 4 JUST finish
- Fully coated underside insulates for sound and reduces condensation
- Straight-sided compartment with 1 3/4" radius corners provides greater capacity
- Conforms to ASME/ANSI A112.19.3M
- Drain punch #35 for Just J-35 unless otherwise specified

**UD-1832-A-T**

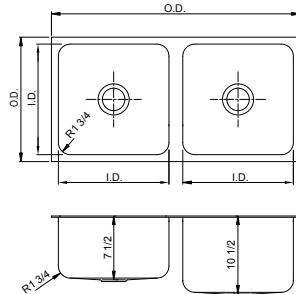
Includes: J-906 faucet, JBH3-H-3 hot water dispenser and JB-99 drains.



UD-A SERIES, UDX-A SERIES



ULTC-1832 SERIES



TYPE 316 Most JUST Stylist 18 gauge models are available in type 316 Stainless Steel, which offers greater corrosion resistance in harsh environments.

**UNDERMOUNT DOUBLE BOWL - 18 GAUGE - STD DEPTH**

Model No.	O.D.1	I.D.2	Depth
UD-1632-A	16 x 32	14 x 14	7-1/2
UD-1832-A	18 x 32	16 x 14	8
UD-1836-A	18 x 36	16 x 16	7-1/2
UD-1842-A	18 x 42	16 x 19	7-1/2
UD-1848-A	18 x 48	16 x 22	8

**UNDERMOUNT - DOUBLE BOWL - 18 GAUGE - DEEP AND EXTRA DEEP**

Model No.	O.D.1	I.D.2	Depth
UDX-1632-A	16 x 32	14 x 14	10-1/2
UDX-1832-A	18 x 32	16 x 14	10-1/2
UDX-1842-A	18 x 42	16 x 19	10-1/2
UDX-1848-A	18 x 48	16 x 22	10-1/2
UDXD-1832-A	18 x 32	16 x 14	12
UDXD-1842-A	18 x 42	16 x 19	12

**UNDERMOUNT LAUNDRY SINK - 18 GAUGE**

Model No.	O.D.1	I.D.2	Depth
ULTC-1832-A-L/R	18 x 32	16x14	7-1/2, 10-1/2

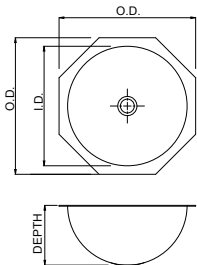
**UNDERMOUNT LAVATORIES**

**UOF-1619-T**

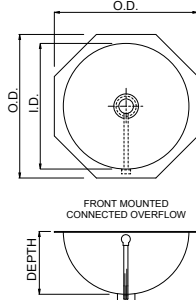
Includes: JV1139-A-W4 faucet, JHDD-2000 Soap dispenser and a J-115-FS grid drain.



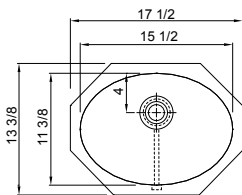
UCIR-SERIES



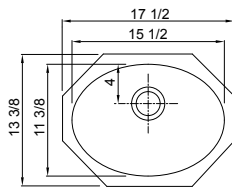
UCIF-SERIES



UOF-1619



UOR-1619



**UNDERMOUNT LAVATORY BOWLS - ROUND 18 GAUGE - STD DEPTH**

Model No.	O.D.1	I.D.2	Depth
UCIR-10	12-1/4	10	5
UCIR-12	14-1/4	12	6
UCIR-14	16-1/4	14	7
UCIR-16	18-1/4	16	8

**WITH OVERFLOW**

UCIF-10*	12-1/4	10	5
UCIF-12*	14-1/4	12	6
UCIF-14*	16-1/4	14	7
UCIF-16*	18-1/4	16	8

**UNDERMOUNT LAVATORY SINKS - OVAL 18 GAUGE - STD DEPTH**

Model No.	O.D.1	I.D.2	Depth
UOR-1619 =	13-3/8 x 17-1/2	11-3/8 x 15-1/2	6
UOF-1619* =	13-3/8 x 17-1/2	11-3/8 x 15-1/2	6

\*INCLUDES CONNECTED OVERFLOW



**AVAILABLE - ADA COMPLIANT SEE PAGE 18**  
JUST Undermount Lavatory Group is available in sizes required to comply with the Americans with Disabilities Act (ADA).



Recycled Stainless, The Value Option



All dimensions shown in inches.



## SPECIFICATIONS - UNDERMOUNT GROUP A - 18 GAUGE

- JUST Undermount Group A, seamless die-drawn construction of 18 gauge type 304, 18-8, stainless steel
- Interior surfaces polished to a non-porous Satin blended No. 4 JUST finish
- Fully coated underside insulates for sound and reduces condensation
- Straight-sided compartment with 1 3/4" radius corners provides greater capacity
- Conforms to ASME/ANSI A112.19.3M
- Drain punch for Just J-35 unless otherwise specified

### UODLX-2032-A-R-T

Includes: J-906 faucet, JB3H-3 hotwater tap and JB-99 drains.



### UODLM-1832-A-L-T (AS REVEAL EDGE)

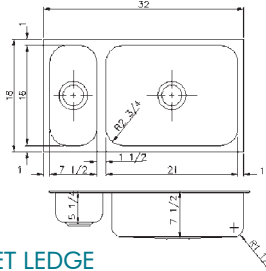
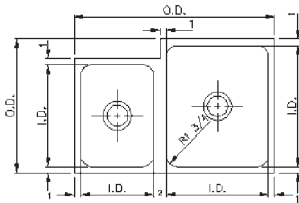
Includes: J-906 faucet with swivel aerator and JB-99 drains.



UODL-A SERIES  
UODLP-A SERIES

UODLX-A SERIES  
UODLQX-A SERIES

UODLM-A SERIES

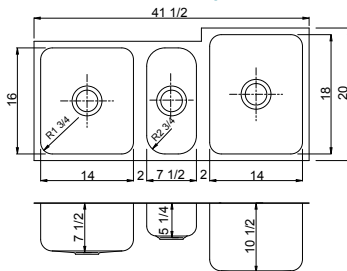


### UTEQM-2041-A-L-T OFFSET FAUCET LEDGE

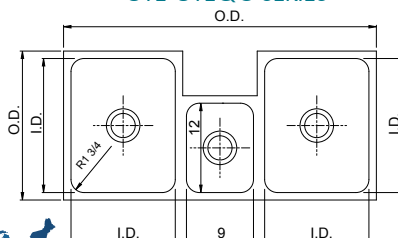
Includes: JPO-3200 Pull Out Spray Faucet with soap dispenser, JB3H-3 hotwater tap, JDP-35 Drains



### OFFSET TYPE UTEQM-R SERIES



### UTE-UTEQC SERIES



**REVEAL EDGE-ALL JUST UNDERMOUNT SINKS COME STANDARD WITH A SATIN FINISH FLANGE AND HIGHLIGHTED BOWL RIM ALLOWING FOR A REVEAL EDGE INSTALLATION WITHOUT ANY SPECIAL ORDER REQUIREMENTS.**

### UNDERMOUNT OFFSET DOUBLE COMPARTMENT SINKS - 18 GAUGE

Model No.	O.D.1	BOWL TYPE	I.D.2	Depth
UODL-1832-A-L <sup>3</sup> or R <sup>3</sup>	18 x 32	LARGE BOWL	16 x 16	7-1/2
		SMALL BOWL	12 x 12	7-1/2
UODL-2032-A-L <sup>3</sup> or R <sup>3</sup>	20 x 32	LARGE BOWL	18 x 14	7-1/2
		SMALL BOWL	16 x 14	8
UODL-2134-A-L <sup>3</sup> or R <sup>3</sup>	21 x 34	LARGE BOWL	19 x 16	7-1/2
		SMALL BOWL	16 x 14	8
UODL-2136-A-L <sup>3</sup> or R <sup>3</sup>	21 x 36	LARGE BOWL	19 x 16	7-1/2
		SMALL BOWL	16 x 16	7-1/2
UODLM-1832-A-L <sup>3</sup> or R <sup>3</sup>	18 x 32	LARGE BOWL	16 x 21	7-1/2
		SMALL BOWL	16 x 7-1/2	5-1/4
UODLP-21315-A-L <sup>3</sup> or R <sup>3</sup>	21 x 31-1/2	LARGE BOWL	19 x 16	7-1/2
		SMALL BOWL	16 x 11-1/2	7-1/2

### UNDERMOUNT OFFSET DOUBLE COMPARTMENT SINKS - 18 GAUGE - DEEPER

Model No.	O.D.1	BOWL TYPE	I.D.2	Depth
UODLX-2032-A-L or R	20 x 32	LARGE BOWL	18 x 14	10-1/2
		SMALL BOWL	16 x 14	8
UODLQX-2034-A-L or R	20 x 34	LARGE BOWL	18 x 14	10-1/2
		SMALL BOWL	16 x 16	7-1/2
UODLX-2136-A-L or R	21 x 36	LARGE BOWL	19 x 16	10-1/2
		SMALL BOWL	16 x 16	7-1/2

### UNDERMOUNT OFFSET LEDGE TYPE TRIPLE COMPARTMENT SINK - 18 GAUGE

Model No.	O.D.1	I.D.2	Depth
UTEQM-2041-A-L or R <sup>4</sup>	20 x 41-1/2	18 x 14	10-1/2
		16 x 14	8
		16 x 7-1/2	5-1/4

### UNDERMOUNT - TRIPLE BOWL - 18 GAUGE

Model No.	O.D.1	I.D.2	Depth
UT-1442-A	14 x 42	12 x 12	7-1/2
UT-1848-A	18 x 48	16 x 14	8
UT-1854-A	18 x 54	16 x 16	7-1/2

1 O.D. - Overall Dimensions (Front-to-Back X Left-to-Right)

2 I.D. - Inside Dimensions (Front-to-Back X Left-to-Right)

3 "L" or "R" indicates smaller bowl location.

4 "L" or "R" indicates larger or deeper bowl location.

### UNDERMOUNT TRIPLE COMPARTMENT SINKS - 18 GAUGE

Model No.	O.D.1	I.D.2	Depth
UTE-1843-A	18 x 43	16 x 14	8
		12 x 9	6
UTE-2043-A	20 x 43	18 x 14	7-1/2
		12 x 9	6
UTE-2147-A	21 x 47	19 x 16	7-1/2
		12 x 9	6
UTEQ-1842-A	18 x 42	16 x 14	8
		12 x 9	6
UTEQC-2042-A	20 x 42	18 x 14	7-1/2
		12 x 9	6

1 O.D. - Overall Dimensions (Front-to-Back X Left-to-Right)

2 I.D. - Inside Dimensions (Front-to-Back X Left-to-Right)



All dimensions shown in inches.



**SPECIFICATIONS - ADA COMPLIANT - 18 GAUGE**

JUST ADA Stylist Group A, seamless die-drawn construction of 18 gauge type 304, 18-8, stainless steel • Interior surfaces polished to a non-porous Satin blended No. 4 JUST finish, with highlighted bowl rim • Smooth, fully coated underside insulates for sound and reduces condensation • Straight-sided compartment with 1 3/4" radius corners provides greater capacity • Conforms to ASME/ANSI A112.19.3M • Drain punch #35 centered at rear, for Just J-35 unless otherwise specified

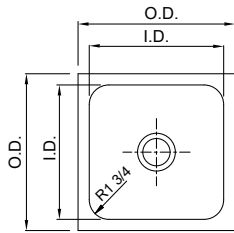
Bowl depths available 4-1/2" Through 5-1/2", in 1/2" increments. Specify depth. Specify drain location on all ADA Compliant sinks; center / left / left rear / right rear or center rear location. Unless otherwise specified drain location is centered at rear of bowl.

\*THICKNESS OF COUNTER TOP MUST BE FACTORED IN, TO ENSURE ADA COMPLIANCE. DEPTH RANGE OF SINK MODELS SHOWN ASSUMES 3/4" TO 1" COUNTER THICKNESS.

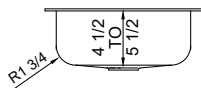
TYPE 316 Most JUST Stylist 18 gauge models are available in type 316 Stainless Steel, which offers greater corrosion resistance in harsh environments.

**US-ADA SERIES**

**US-ADA-1821-A-T**

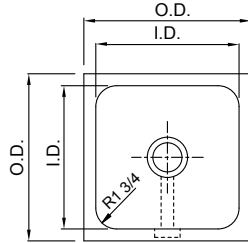


Includes:  
JTR-51 faucet  
JHDD-2000 soap dispenser  
J-ADA-35 drain system

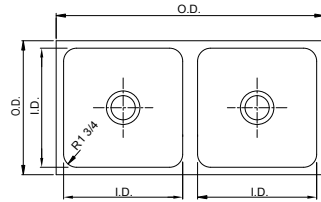


4-1/2 to 5-1/2 Depth Range

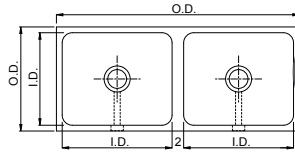
**USF-ADA SERIES**



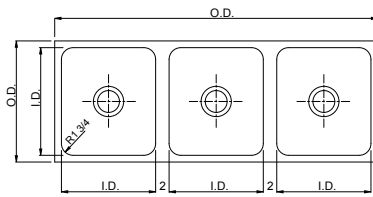
**UD-ADA SERIES**



**UDF-ADA SERIES**



**UT-ADA SERIES**



4-1/2 to 5-1/2 Depth Range

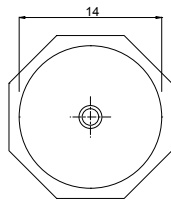
4-1/2 to 5-1/2 Depth Range

**UCIR-ADA-14-T**

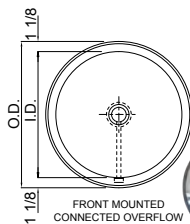


Includes:  
JSL-100-AC Sensor faucet, JHDD-2000 Soap dispenser and a J-15-FS grid drain.

**UCIR-ADA SERIES**



**UCIF-ADA SERIES**



5 to 6 Depth Range

**UNDERMOUNT ADA COMPLIANT - SINGLE BOWL - 18 GAUGE**

Model No.	O.D.1	I.D.2	*Depth
US-ADA-13518-A	13-1/2 x 18	11-1/2 x 16	4-1/2 to 5-1/2
US-ADA-1414-A	14 x 14	12 x 12	4-1/2 to 5-1/2
US-ADA-1616-A	16 x 16	14 x 14	4-1/2 to 5-1/2
US-ADA-1618-A	16 x 18	14 x 16	4-1/2 to 5-1/2
US-ADA-1620-A	16 x 20	14 x 18	4-1/2 to 5-1/2
US-ADA-1818-A	18 x 18	16 x 16	4-1/2 to 5-1/2
US-ADA-1821-A	18 x 21	16 x 19	4-1/2 to 5-1/2
US-ADA-1824-A	18 x 24	16 x 22	4-1/2 to 5-1/2
US-ADA-1830-A	18 x 30	16 x 28	4-1/2 to 5-1/2

**WITH INTEGRA-FLOW SYSTEM**

USF-ADA-13518-A	13-1/2 x 18	11-1/2 x 16	4-1/2 to 5-1/2
USF-ADA-1414-A	14 x 14	12 x 12	4-1/2 to 5-1/2
USF-ADA-1616-A	16 x 16	14 x 14	4-1/2 to 5-1/2
USF-ADA-1618-A	16 x 18	14 x 16	4-1/2 to 5-1/2
USF-ADA-1620-A	16 x 20	14 x 18	4-1/2 to 5-1/2
USF-ADA-1818-A	18 x 18	16 x 16	4-1/2 to 5-1/2
USF-ADA-1821-A	18 x 21	16 x 19	4-1/2 to 5-1/2
USF-ADA-1824-A	18 x 24	16 x 22	4-1/2 to 5-1/2
USF-ADA-1830-A	18 x 30	16 x 28	4-1/2 to 5-1/2

**UNDERMOUNT ADA - COMPLIANT - DOUBLE BOWL - 18 GAUGE**

Model No.	O.D.1	I.D.2	*Depth
UD-ADA-1632-A	16 x 32	14 x 14	4-1/2 to 5-1/2
UD-ADA-1832-A	18 x 32	16 x 14	4-1/2 to 5-1/2
UD-ADA-1836-A	18 x 36	16 x 16	4-1/2 to 5-1/2
UD-ADA-1842-A	18 x 42	16 x 19	4-1/2 to 5-1/2
UD-ADA-1848-A	18 x 48	16 x 22	4-1/2 to 5-1/2

**WITH INTEGRA-FLOW SYSTEM**

UDF-ADA-1632-A	16 x 32	14 x 14	4-1/2 to 5-1/2
UDF-ADA-1832-A	18 x 32	16 x 14	4-1/2 to 5-1/2
UDF-ADA-1836-A	18 x 36	16 x 16	4-1/2 to 5-1/2
UDF-ADA-1842-A	18 x 42	16 x 19	4-1/2 to 5-1/2
UDF-ADA-1848-A	18 x 48	16 x 22	4-1/2 to 5-1/2

**UNDERMOUNT ADA - COMPLIANT - TRIPLE BOWL - 18 GAUGE**

Model No.	O.D.1	I.D.2	*Depth
UT-ADA-1442-A	14 x 42	12 x 12	4-1/2 to 5-1/2
UT-ADA-1848-A	18 x 48	16 x 14	4-1/2 to 5-1/2
UT-ADA-1854-A	18 x 54	16 x 16	4-1/2 to 5-1/2

**ADA COMPLIANT - CIRCULAR LAVATORY BOWL LESS OVERFLOW - 18 GAUGE**

Model No.	O.D.1	I.D.2	*Depth
UCIR-ADA-10	12-1/4	10	5
UCIR-ADA-12	14-1/4	12	6
UCIR-ADA-14	16-1/4	14	5-1/2
UCIR-ADA-16	18-1/4	16	5-1/2

**WITH OVERFLOW**

UCIF-ADA-10	12-1/4	10	5
UCIF-ADA-12	14-1/4	12	6
UCIF-ADA-14	16-1/4	14	5-1/2
UCIF-ADA-16	18-1/4	16	5-1/2



Recycled Stainless, The Value Option



All dimensions shown in inches.

STYLIST UNDERMOUNT ADA

**SPECIFICATIONS - CONGENIALITY GROUP A & B - 18 & 20 GAUGE**

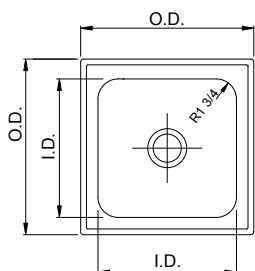
- JUST Congeniality Group A & B, seamless die-drawn construction of 18 gauge or 20 gauge type 304, 18-8, stainless steel
- Interior surfaces polished to a non-porous Satin blended No. 4 JUST finish, with highlighted bowl rim
- Smooth fully coated underside insulates for sound and reduces condensation
- Straight-sided sink bowl with 1 3/4" radius corners provides greater capacity
- Self-rimming top mount Grip-Rim Plus with 300 series stainless steel mounting channels
- Conforms to ASME/ANSI A112.19.3M
- Drain punch #15 for Just J-15 unless otherwise specified. Center drain only.

**SBX-1515-AGR-T**

Includes: J-15-FS Drain



**SB-SBX SERIES**

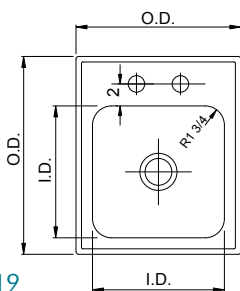


**SBL-1815-A-GR-T**

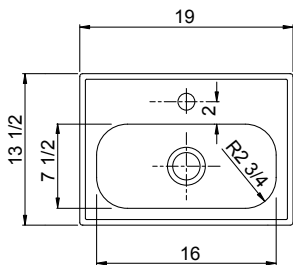
Includes: JGN-750 Faucet, J-15-FS Drain



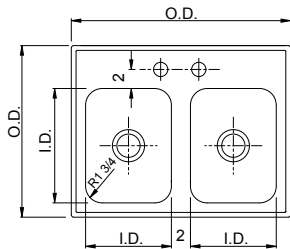
**SBL-SBLX SERIES**



**BLSM-13519**



**DBL SERIES**

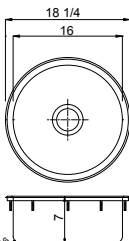


**DFB-18-T BRISTOL HILL I**

Includes: JGN-600 single hole gooseneck faucet with JDP-35 drop post drain. 18 gauge type 304 stainless steel.



**DFB-18**

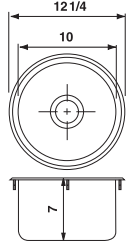


**DFB-12-T BRISTOL HILL II**

Heavy gauge stainless steel construction. Includes: JGN-600 single hole gooseneck faucet and J-15CC.



**DFB-12**



**BAR SINKS - SINGLE BOWL - NO LEDGE - 18 GAUGE**

Model No.	O.D.1	BOWL-I.D.2	Depth
SB-1215-A-GR	12 x 15	9 x 12	6
SB-1515-A-GR	15 x 15	12 x 12	7-1/2
SBX-1515-A-GR	15 x 15	12 x 12	9

WITH INTEGRA-FLOW SYSTEM

SBF-1215-A-GR	12 x 15	9 x 12	6
SBF-1515-A-GR	15 x 15	12 x 12	7-1/2
SBXF-1515-A-GR	15 x 15	12 x 12	9

**BAR SINKS - SINGLE BOWL - LEDGEBACK - 18 GAUGE**

Model No.	O.D.1	BOWL-I.D.2	Depth
SBL-1515-A-GR	15 x 15	9 x 12	6
SBL-1613-A-GR	16 x 13	10 x 10	7-1/2
SBL-1812-A-GR	18 x 12	12 x 9	6
SBL-1815-A-GR	18 x 15	12 x 12	7-1/2
SBLX-1815-A-GR	18 x 15	12 x 12	9
BLSM-13519-A-GR	13-1/2 x 19	7-1/2 x 16	5-1/4

WITH INTEGRA-FLOW SYSTEM

SBLF-1515-A-GR	15 x 15	9 x 12	6
SBLF-1613-A-GR	16 x 13	10 x 10	7-1/2
SBLF-1812-A-GR	18 x 12	12 x 9	6
SBLF-1815-A-GR	18 x 15	12 x 12	7-1/2
SBLXF-1815-A-GR	18 x 15	12 x 12	9
BLSMF-13519-A-GR	13-1/2 x 19	7-1/2 x 16	5-1/4

**BAR SINKS - OFFSET & DOUBLE BOWL - LEDGEBACK - 18 GAUGE**

Model No.	O.D.1	BOWL-I.D.2	Depth
DBL-1529-A-GR	15 x 29	9 x 12	6
ODBL-1529-A-GR	15 x 29	12 x 12	7-1/2
		9 x 12	6
DBL-1823-A-GR	18 x 23	12 x 9	6

WITH INTEGRA-FLOW SYSTEM

DBLF-1529-A-GR	15 x 29	9 x 12	6
ODBLF-1529-A-GR	15 x 29	12 x 12	7-1/2
		9 x 12	6
DBLF-1823-A-GR	18 x 23	12 x 9	6

**BAR SINKS - SINGLE BOWL - LEDGEBACK - 20 GAUGE**

Model No.	O.D.1	BOWL-I.D.2	Depth
SBL-1515-B-GR	15 x 15	9 x 12	6
SBL-1613-B-GR	16 x 13	10 x 10	7
SBL-1812-B-GR	18 x 12	12 x 9	6
SBL-1815-B-GR	18 x 15	12 x 12	7
BLSM-13519-B-GR	13-1/2 x 19	7-1/2 x 16	5-1/4

**BAR SINKS - DOUBLE BOWL - LEDGEBACK - 20 GAUGE**

Model No.	O.D.1	BOWL-I.D.2	Depth
DBL-1529-B-GR	15 x 29	9 x 12	6
ODBL-1529-B-GR	15 x 29	12 x 12	7
		9 x 12	6
DBL-1823-B-GR	18 x 23	12 x 9	6

**BAR SINKS - SINGLE BOWL - NO LEDGE - 20 GAUGE**

Model No.	O.D.1	BOWL-I.D.2	Depth
DFB-12	12-1/4	10	7
DFB-18	18-1/4	16	7

CONGENIALITY GROUP A & B



1 O.D. - Overall Dimensions (Front-to-Back X Left-to-Right)  
2 I.D. - Inside Dimensions (Front-to-Back X Left-to-Right)

All dimensions shown in inches.



**SPECIFICATIONS - CONGENIALITY GROUP A - 18 GAUGE**

- JUST Congeniality Group A, seamless die-drawn construction of 18 gauge type 304, 18-8, stainless steel
- Interior surfaces polished to a non-porous Satin blended No. 4 JUST finish, with highlighted bowl rim
- Smooth fully coated underside insulates for sound and reduces condensation
- Straight-sided sink bowl with 1 3/4" radius corners provides greater capacity
- Self-rimming top mount Grip-Rim Plus with 300 series stainless steel mounting channels
- Conforms to ASME/ANSI A112.19.3M
- Drain punch #15 for Just J-15 unless otherwise specified

**SBL-ADA-1815-A-GR-T**

Includes: JGN-750 Faucet, J-15-FS Drain

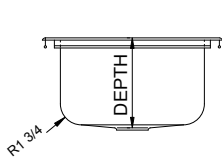
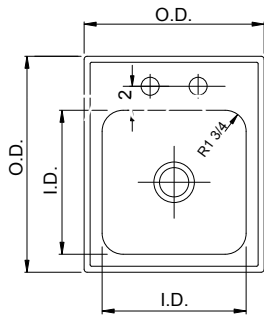


**DBL-ADA-1823-A GR-T**

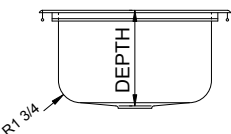
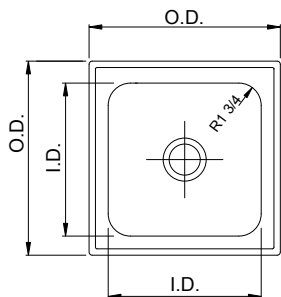
Includes: JGN-5 Faucet, J-15-FS Drains



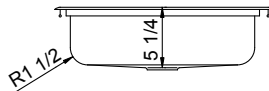
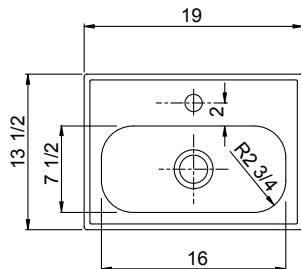
**SBL-ADA SERIES**



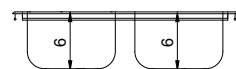
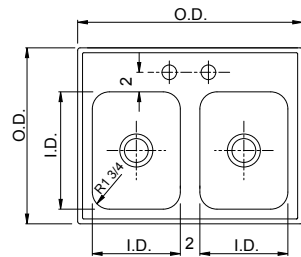
**SB-ADA SERIES**



**BLSM-ADA-13519**



**DBL-ADA SERIES**



**BAR SINKS - SINGLE BOWL - NO LEDGE - 18 GAUGE**

Model No.	O.D.1	I.D.2	Depth
SB-ADA-1215-A-GR	12 x 15	9 x 12	6
SB-ADA-1515-A-GR	15 x 15	12 x 12	4-1/2 to 6-1/2

**WITH INTEGRA-FLOW SYSTEM**



SBF-ADA-1215-A-GR	12 x 15	9 x 12	6
SBF-ADA-1515-A-GR	15 x 15	12 x 12	4-1/2 to 6-1/2

**BAR SINKS - SINGLE BOWL - LEDGEBACK - 18 GAUGE**

Model No.	O.D.1	I.D.2	Depth
SBL-ADA-1515-A-GR	15 x 15	9 x 12	6
SBL-ADA-1613-A-GR	16 x 13	10 x 10	4-1/2 to 6-1/2
SBL-ADA-1812-A-GR	18 x 12	12 x 9	6
SBL-ADA-1815-A-GR	18 x 15	12 x 12	4-1/2 to 6-1/2
BLSM-ADA-13519-A-GR*	13-1/2 x 19	7-1/2 x 16	5-1/4



**WITH INTEGRA-FLOW SYSTEM**

SBLF-ADA-1515-A-GR	15 x 15	9 x 12	6
SBLF-ADA-1613-A-GR	16 x 13	10 x 10	4-1/2 to 6-1/2
SBLF-ADA-1812-A-GR	18 x 12	12 x 9	6
SBLF-ADA-1815-A-GR	18 x 15	12 x 12	4-1/2 to 6-1/2
BLSMF-ADA-13519-A-GR*	13-1/2 x 19	7-1/2 x 16	5-1/4

**BAR SINKS - DOUBLE BOWL - LEDGEBACK - 18 GAUGE**

Model No.	O.D.1	I.D.2	Depth
DBL-ADA-1529-A-GR	15 x 29	9 x 12	6
DBL-ADA-1823-A-GR	18 x 23	12 x 9	6



**WITH INTEGRA-FLOW SYSTEM**

DBLF-ADA-1529-A-GR	15 x 29	9 x 12	6
DBLF-ADA-1823-A-GR	18 x 23	12 x 9	6

1 O.D. - Overall Dimensions (Front-to-Back X Left-to-Right)

2 I.D. - Inside Dimensions (Front-to-Back X Left-to-Right)

\* 2 3/4 radius corners

CONGENIALITY GROUP A ADA



Recycled Stainless, The Value Option



All dimensions shown in inches.





**SPECIFICATIONS - FUNCTIONAL GROUP A & B - 18 GAUGE - 20 GAUGE**

- JUST Functional Group A & B, seamless die-drawn construction of 18 or 20 gauge type 304, 18-8, stainless steel
- Interior surfaces polished to a non-porous Satin blended No. 4 JUST finish, with highlighted bowl rim
- Smooth fully coated underside insulates for sound and reduces condensation
- Straight-sided sink bowl with 1 3/4" radius corners provides greater capacity
- Self-rimming top mount Grip-Rim Plus with 300 series stainless steel mounting channels
- Conforms to ASME/ANSI A112.19.3M
- Drain punch #35 for Just J-35 unless otherwise specified

**TEQ-2243-A-GR-R-T**

Includes: J-990-WF Faucet with spray, J-981 Faucet, 3, JB-99 Drains



**TE-2248-B-GR-T**

Includes: JWF-201-W Faucet with spray, 3, JB-99 Drains



TRIP-L-EASE SINKS - 18 GAUGE			
Model No.	O.D.1	I.D.2	Depth
TE-1944-A-GR	19 x 44	16 x 14	8
		12 x 9	6
TE-2044-A-GR	20 x 44	16 x 14	8
		12 x 9	6
TE-2144-A-GR	21 x 44	18 x 14	7-1/2
		12 x 9	6
TE-2248-A-GR	22 x 48	19 x 16	7-1/2
		12 x 9	6
TEQ-2243-A-GR-L <sup>3</sup> or R <sup>3</sup>	22 x 43	16 x 14	8
		12 x 9	6
TEQC-2243-A-GR <sup>3</sup>	22 x 43	18 x 14	7-1/2
		12 x 9	6
TET-2248-A-GR-L <sup>4</sup> or R <sup>4</sup>	22 x 48	16 x 14	8
		16 x 14	4
		16 x 14	10-1/2

TRIP-L-EASE SINKS - 20 GAUGE			
Model No.	O.D.1	I.D.2	Depth
TE-1944-B-GR	19 x 44	16 x 14	7
		12 x 9	6
TE-2144-B-GR	21 x 44	18 x 14	7
		12 x 9	6
TE-2248-B-GR	22 x 48	19 x 16	7
		12 x 9	6
TEQ-2243-B-GR-L <sup>3</sup> or R <sup>3</sup>	22 x 43	18 x 14	7
		12 x 9	6

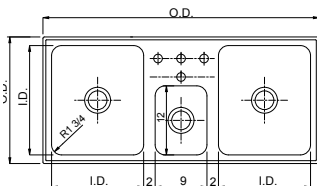
- 1 O.D. - Overall Dimensions (Front-to-Back X Left-to-Right)
- 2 I.D. - Inside Dimensions (Front-to-Back X Left-to-Right)
- 3 Suffix "L" or "R" indicates small bowl located on Left or Right.
- 4 Suffix "L" or "R" indicates deep bowl located on Left or Right.
- 5 Partition 1-1/2.

**TEQM-2243-A-GR-L-T OFFSET FAUCET LEDGE**

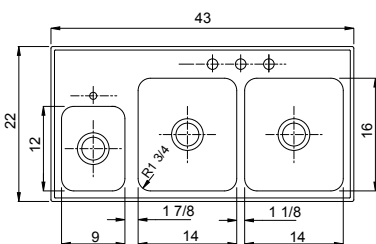
Includes: JPO-3000 Pull Out Spray Faucet with soap dispenser, JB3H-3 Hot Water Tap, JDP-35 Drains



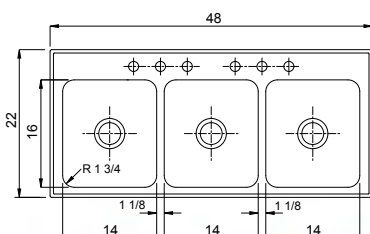
**TE-TEQC SERIES**



**TEQ-L SERIES**



**TET SERIES**

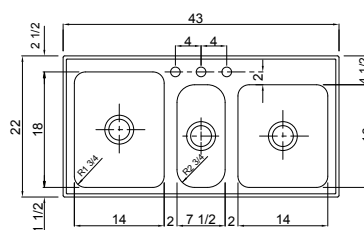


**OFFSET TRIP-L-EASE TRIPLE COMPARTMENT SINK - 18 GAUGE**

Model No.	O.D.1	I.D.2	Depth
TEQM-2243-A-GR-L or R	22 x 43	18 x 14	10-1/2
		16 x 14	8
		16 x 7-1/2	5-1/4

"L" or "R" indicates location of deep bowl.

**TEQM SERIES**



Recycled Stainless, The Value Option



All dimensions shown in inches.

SPECIFICATIONS - FUNCTIONAL GROUP

- JUST Functional Group A & B, seamless die-drawn construction of 18 or 20 gauge type 304, 18-8, stainless steel
- Interior surfaces polished to a non-porous Satin blended No. 4 JUST finish, with highlighted bowl rim
- Smooth fully coated underside insulates for sound and reduces condensation
- Straight-sided sink bowl with 1 3/4" radius corners provides greater capacity
- Self-rimming top mount Grip-Rim Plus with 300 series stainless steel mounting channels
- Conforms to ASME/ANSI A112.19.3M
- Drain punch #35 for Just J-35 unless otherwise specified

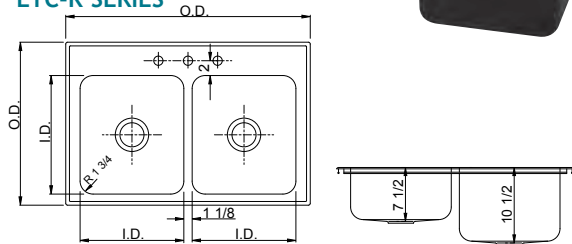
SINK AND LAUNDRY TRAYS

LTC-2233-A-GR-R-T

Includes: JWF-200 Faucet, JB-99 Drains



LTC-R SERIES



SINK AND LAUNDRY TRAY - 18 GAUGE			
Model No.	O.D.1	I.D.2	Depth
LTC-1933-A-GR-L <sup>3-4-5</sup> or R <sup>3-4-5</sup>	19 x 33	14 x 14	10 1/2 / 7-1/2
LTC-2233-A-GR-L <sup>3-5</sup> or R <sup>3-5</sup>	22 x 33	16 x 14	10 1/2 / 8
LTC-2243-A-GR-L <sup>3</sup> or R <sup>3</sup>	22 x 43	16 x 19	10 1/2 / 7-1/2
SINK AND LAUNDRY TRAY - 20 GAUGE			
LTC-2233-B-GR-L <sup>3-5</sup> or R <sup>3-5</sup>	22 x 33	16 x 14	10 / 7

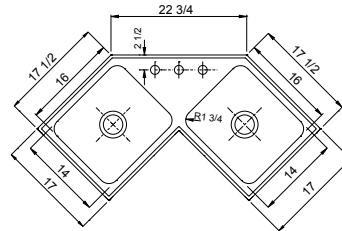
CORNER SINKS

CS-1416-A-GR-T

Includes: JWF-200 Faucet, JB-99 Drains



CS-1416 SERIES, UCS 1416 SERIES



CORNER SINK - 18 GAUGE		
Model No.	I.D.2	Depth
CS-1416-A-GR	16 x 14	8
UNDERMOUNT VERSION		
UCS-1416-A-GR	16 x 14	8
CORNER SINK - 20 GAUGE		
CS-1416-B-GR	16 x 14	7
CORNER SINKS - 18 GAUGE - EXTRA DEEP		
CSLTC-1416-A-GR-L <sup>3</sup> or R <sup>3</sup>	14 x 16	10-1/2
	14 x 16	8

See page 5 for undermount version

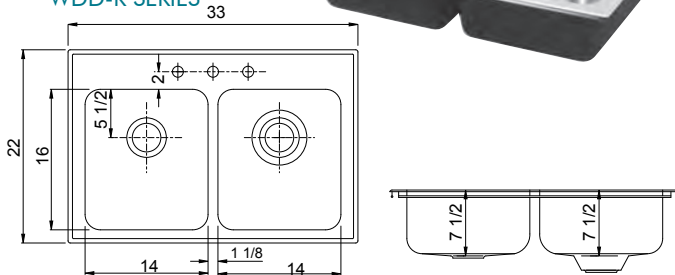
SINGLE & DOUBLE COMPARTMENT DISPOSER WELL SINKS 18 GAUGE

WDD-2233-A-GR-R-T

Includes: JWF-200 Faucet, JHDD-2000 Commercial Grade Soap Dispenser and (1) JB-99 Drain(s)



WDD-R SERIES



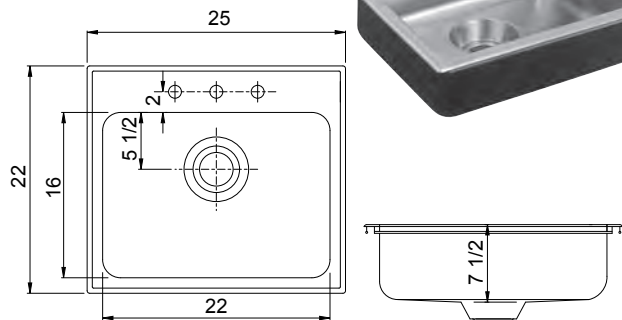
DOUBLE COMPARTMENT DISPOSER WELL SINKS - 18 GAUGE			
Model No.	I.D.1	I.D.2	Depth
WDD-2233-A-GR-L <sup>3</sup> or R <sup>3</sup>	22 x 33	16 x 14	8
WDD-2238-A-GR-L <sup>3</sup> or R <sup>3</sup>	22 x 38	16 x 19	7-1/2
		16 x 14	7-1/2

WDS-2225-A-GR-T

Includes: JTR-51 Faucet



WDS SERIES



SINGLE COMPARTMENT DISPOSER WELL SINK - 18 GAUGE			
Model No.	I.D.1	I.D.2	Depth
WDS-2225-A-GR	22 x 25	16 x 22	7-1/2

- 1 O.D. - Overall Dimensions (Front-to-Back X Left-to-Right)
- 2 I.D. - Inside Dimensions (Front-to-Back X Left-to-Right)
- 3 Suffix "L" or "R" indicates location of deeper bowl (LTC/CSLTC series) or location of disposal well (WDD)
- 4 Faucet flange 3-1/2.
- 5 Side flanges 1-15/16. Partition 1-1/8.





**SPECIFICATIONS - GE GROUP A & B - 18 OR 20 GAUGE**

- JUST GE Group A & B, seamless die-drawn construction of 18 or 20 gauge type 304, 18-8, stainless steel
- Interior surfaces polished to a non-porous Satin blended No. 4 JUST finish, with highlighted bowl rim
- Smooth fully coated underside insulates for sound and reduces condensation
- Straight-sided sink bowl with 1 3/4" radius corners provides greater capacity
- Self-rimming top mount Grip-Rim Plus with 300 series stainless steel mounting channels
- Conforms to ASME/ANSI A112.19.3M
- Drain punched for Just JV-35 unless otherwise specified

**SBW-2125-A-GR-R-T**

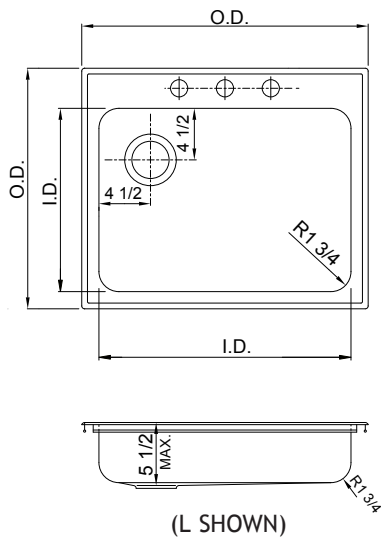
Includes: JV-175A Faucet with Spray, JV-35 Drain

**DBW-2133-A-GR-L-T**

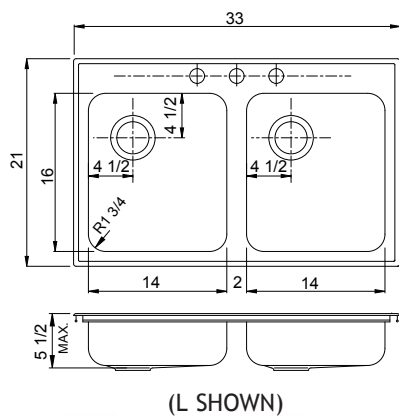
Includes: J-902 Faucet with Spray, JV-35 Drains



**SBW-L SERIES**



**DBW-L SERIES**



**GE DISHWASHER SINKS - SINGLE COMPARTMENT - 18 GAUGE**

Model No.	I.D.1	I.D.2	Depth
SBW-1919-A-GR-L <sup>3</sup> or R <sup>3</sup>	19 x 19	14 x 16	5-1/2
SBW-2125-A-GR-L <sup>3</sup> or R <sup>3</sup>	21 x 25	16 x 22	5-1/2

**GE DISHWASHER SINKS - DOUBLE COMPARTMENT - 18 GAUGE**

Model No.	I.D.1	I.D.2	Depth
DBW-2133-A-GR-L <sup>3</sup> or R <sup>3</sup>	21 x 33	16 x 14	5-1/2

**GE DISHWASHER SINKS - SINGLE COMPARTMENT - 20 GAUGE**

Model No.	I.D.1	I.D.2	Depth
SBW-1919-B-GR-L <sup>3</sup> or R <sup>3</sup>	19 x 19	14 x 16	5-1/2
SBW-2125-B-GR-L <sup>3</sup> or R <sup>3</sup>	21 x 25	16 x 22	5-1/2

**GE DISHWASHER SINKS - DOUBLE COMPARTMENT - 20 GAUGE**

Model No.	I.D.1	I.D.2	Depth
DBW-2133-B-GR-L <sup>3</sup> or R <sup>3</sup>	21 x 33	16 x 14	5-1/2

1 O.D. - Overall Dimensions (Front-to-Back X Left-to-Right)  
 2 I.D. - Inside Dimensions (Front-to-Back X Left-to-Right)  
 3 Suffix "L" or "R" indicates drain offset to left-rear(L), or right-rear(R). Offset in double bowls shall be identical.



Recycled Stainless, The Value Option



All dimensions shown in inches.

**SPECIFICATIONS - CONTINENTAL GROUP - 20 GAUGE**

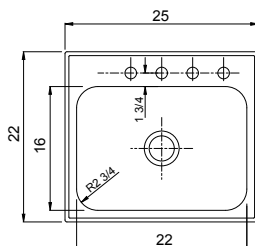
- JUST Continental Group, seamless die-drawn construction of 20 gauge type 304, 18-8, stainless steel
- Interior surfaces polished to a non-porous Satin blended No. 4 JUST finish, with highlighted bowl rim
- Fully coated underside insulates for sound and reduces condensation
- Straight-sided compartment provides greater capacity
- Self-rimming top mount Grip-Rim Plus with 300 series stainless steel mounting channels
- Conforms to ASME/ANSI A112.19.3M
- Drain punch #35 for Just J-35

**CSL-2225-B-GR-T**

Includes: J-900 Faucet, J-35 Drain



**CSL-CSLX SERIES**



**CDL-2133-B-GR-T**

Includes: JV-174-A Faucet, J-35 Drains

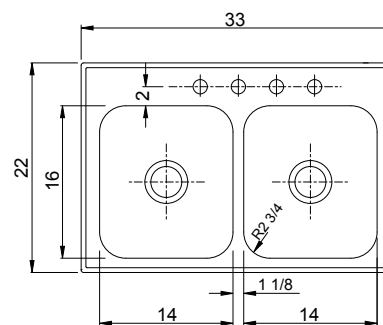


**CCS-1416-B-GR-T**

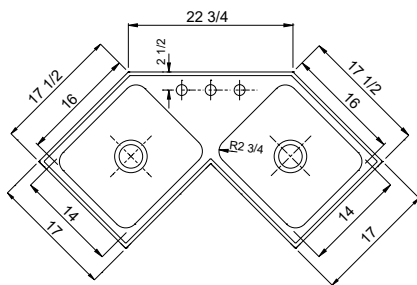
Includes: JB-710 Faucet, J-35 Drains



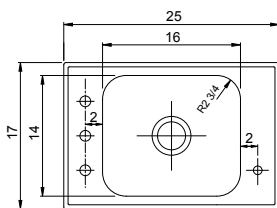
**CDL SERIES**



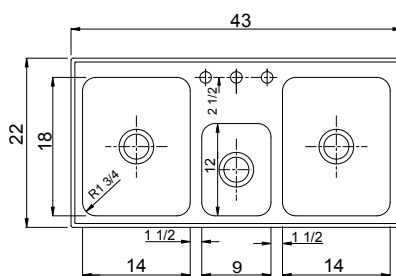
**CCS-1416-B-GR**



**CCRA-1725-B-GR**



**CTEQ-2243-B-GR**



**SINGLE BOWL - 20 GAUGE - CONTINENTAL**

Model No.	I.D.1	I.D.2	Depth
CSL-2217-B-GR	22 x 17	16 x 14	7
CSL-2125-B-GR <sup>3</sup>	21 x 25	16 x 21	7
CSL-2225-B-GR	22 x 25	16 x 21	7
CSLX-2225-B-GR	22 x 25	16 x 21	10

**DOUBLE BOWL - 20 GAUGE - CONTINENTAL**

Model No.	I.D.1	I.D.2	Depth
CDL-2133-B-GR <sup>3-4</sup>	21 x 33	16 x 14	7
CDL-2233-B-GR <sup>4</sup>	22 x 33	16 x 14	7

**CLASSROOM SINK - FAUCET LEDGE LEFT - BUBBLER LEDGE RIGHT**

Model No.	I.D.1	I.D.2	Depth
CCRA-1725-B-GR	17 x 25	14 x 16	7

**CORNER SINK - 20 GAUGE**

Model No.	I.D.2	Depth
CCS-1416-B-GR	14 x 16	7

**TRIPLE COMPARTMENT - 20 GAUGE**

Model No.	O.D.1	I.D.2	Depth
CTEQ-2243-B-GR	22 x 43	18 x 14	7
		12 x 9	6



All dimensions shown in inches.

- 1 O.D. - Overall Dimensions (Front-to-Back X Left-to-Right)
- 2 I.D. - Inside Dimensions (Front-to-Back X Left-to-Right)
- 3 Faucet flange 3-1/2.
- 4 Side flanges 1-15/16. Partition 1-1/8.



**SPECIFICATIONS - ROUND LAVATORY LESS OVERFLOW - 18 GAUGE**

- JUST Lavatory Group, seamless die-drawn construction of 18 gauge type 304, 18-8, stainless steel
- Interior surfaces polished to a non-porous Satin blended No. 4 JUST finish • Fully coated underside insulates for sound and reduces condensation • Drain punch #15 for J-15

**SPECIFICATIONS - ROUND LAVATORY WITH OVERFLOW - 18 GAUGE**

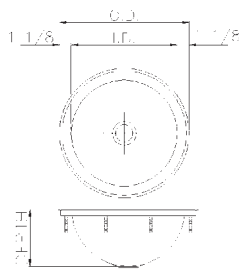
- JUST Lavatory Group, seamless die-drawn construction of 18 gauge type 304, 18-8, stainless steel
- Interior surfaces polished to a non-porous Satin blended No. 4 JUST finish
- Fully coated underside insulates for sound and reduces condensation
- Drain punch for standard lavatory pop-up drain

CIR-16-T



Includes: J-15-FS Flat grid drain

CIR-SERIES

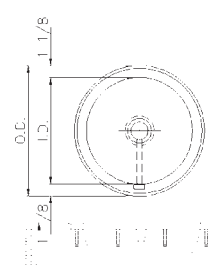


CIF-10-T



Includes: J-115-FS flat grid strainer and connected overflow

CIF-SERIES



18 GAUGE CIRCULAR BOWL WITHOUT OVERFLOW			
Model No.	O.D.DIA	I.D DIA	Depth
CIR-10	12-1/4	10	5
CIR-12	14-1/4	12	6
CIR-14	16-1/4	14	7
CIR-16	18-1/4	16	8
ADA COMPLIANT - 18 GAUGE CIRCULAR BOWL WITHOUT OVERFLOW			
CIR-ADA-10	12-1/4	10	5
CIR-ADA-12	14-1/4	12	6
CIR-ADA-14	16-1/4	14	5-1/2
CIR-ADA-16	18-1/4	16	5-1/2

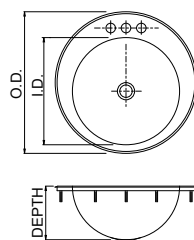
18 GAUGE CIRCULAR BOWL WITH OVERFLOW			
Model No.	O.D.DIA	I.D DIA	Depth
CIF-10	12-1/4	10	5
CIF-12	14-1/4	12	6
CIF-14	16-1/4	14	7
CIF-16	18-1/4	16	8
ADA COMPLIANT - 18 GAUGE CIRCULAR BOWL WITHOUT OVERFLOW			
CIF-ADA-10	12-1/4	10	5
CIF-ADA-12	14-1/4	12	6
CIF-ADA-14	16-1/4	14	5-1/2
CIF-ADA-16	18-1/4	16	5-1/2

CLR-14-T

Includes: JV-1139-A-W4 Faucet with wrist blade handles, Recommended drain: J-15-FS Flat grid strainer



CLR-SERIES

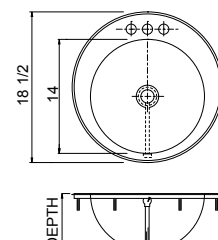


CLF-14-T

Includes: JV-1139-A-W4 Faucet with wrist blade handles, J-115-FS Flat grid drain and connected overflow



CLF-SERIES



18 GAUGE CIRCULAR BOWL WITHOUT OVERFLOW - WITH FAUCET FLANGE			
Model No.	O.D.DIA	I.D DIA	Depth
CLR-10	14-1/2	10	5
CLR-14	18-1/2	14	7
ADA COMPLIANT - 18 GAUGE CIRCULAR BOWL WITHOUT OVERFLOW - WITH FAUCET FLANGE			
CLR-ADA-10	14-1/2	10	5
CLR-ADA-14	18-1/2	14	5-1/2

18 GAUGE CIRCULAR BOWL WITH OVERFLOW AND FAUCET FLANGE			
Model No.	O.D.DIA	I.D DIA	Depth
CLF-10	14-1/2	10	5
CLF-14	18-1/2	14	7
ADA COMPLIANT - 18 GAUGE CIRCULAR BOWL WITH OVERFLOW AND FAUCET FLANGE			
CLR-ADA-10	14-1/2	10	5
CLR-ADA-14	18-1/2	14	5-1/2



ADA COMPLIANT  
These units are available ADA Compliant with smooth coat sound deadening. Available in depths shown only.



Recycled Stainless, The Value Option



All dimensions shown in inches.

SPECIFICATIONS - LAVATORY GROUP A 18 & 20 GAUGE

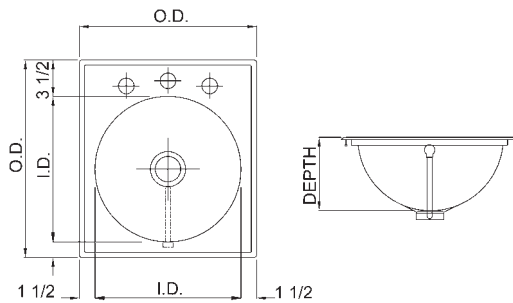
- JUST Lavatory Group A or B seamless die-drawn construction of 18 or 20 gauge type 304
- Interior surfaces polished to a non-porous Satin blended No. 4 JUST finish
- Fully coated underside insulates for sound and reduces condensation
- Straight-sided sink bowl with 1 3/4" radius corners provides greater capacity
- Self-rimming top mount with 300 series stainless steel mounting channels
- Conforms to ASME/ANSI A112.19.3M
- Drain punch for bowls with overflows, standard lavatory pop-up drain
- Drain punch for bowls without overflow Just J-15

LLQ-17519-B-GR-T

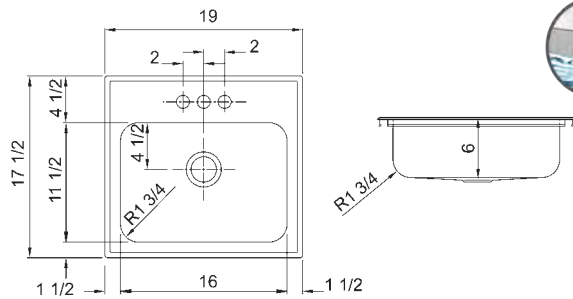
Includes: JV-174-A Faucet, J-15-FS Drain



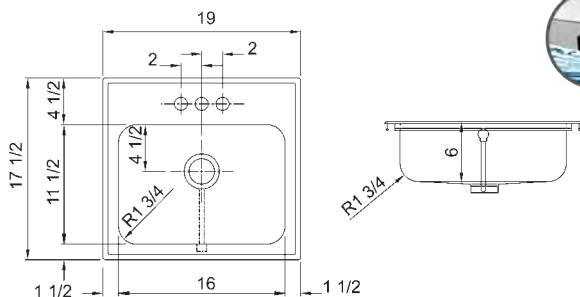
LLO- SERIES



LLQ- SERIES



LLQO- SERIES



LLQO-17519-A-GR-T

Includes: JV-1139-A-W Faucet with wrist blade handles, J-115-FS Flat grid strainer and connected overflow



18 GAUGE CIRCULAR BOWL WITH OVERFLOW



Model No.	O.D 1	I.D. DIA	Depth
LLO-1513-A-GR	15 x 13	10	5
LLO-1917-A-GR	19 x 17	14	7

LAVATORY WITHOUT OVERFLOW - 18 GAUGE

Model No.	O.D 1	I.D.2	Depth
LLQ-17519-A-GR	17-1/2 x 19	11-1/2 x 16	6
UNDERMOUNT VERSION			
ULLQ-13518-A	13-1/2 x 18	11-1/2 x 16	6

LAVATORY WITH OVERFLOW - 18 GAUGE



Model No.	O.D 1	I.D.2	Depth
LLQO-17519-A-GR	17-1/2 x 19	11-1/2 x 16	6
UNDERMOUNT VERSION			
ULLQO-13518-A	13-1/2 x 18	11-1/2 x 16	6

LAVATORY WITHOUT OVERFLOW - 20 GAUGE

Model No.	O.D 1	I.D.2	Depth
LLQ-17519-B-GR	17-1/2 x 19	11-1/2 x 16	6

LAVATORY WITH OVERFLOW - 20 GAUGE



Model No.	O.D1	I.D.2	Depth
LLQO-17519-B-GR	17-1/2 x 19	11-1/2 x 16	6

1 O.D. - Overall Dimensions (Front-to-Back X Left-to-Right)  
2 I.D. - Inside Dimensions (Front-to-Back X Left-to-Right)



ADA COMPLIANT =  
=These units are available 18 gauge ADA Compliant with smooth sound deadening. Available in depths shown only.



All dimensions shown in inches.



**SPECIFICATIONS - OVAL LAVATORY - 18 GAUGE**

- JUST Oval Lavatory Group, seamless die-drawn construction of 18 gauge type 304, 18-8, stainless steel
- Interior surfaces polished to a non-porous Satin blended No. 4 JUST finish
- Fully coated underside insulates for sound and reduces condensation
- Self-rimming top mount

**OLR-1619-T**

Includes: JV-1139-A-W4 Faucet with wrist blade handles.  
Recommended drain: J-15-FS Drain



**OLF-17521-T**

Includes: J-117-KS Faucet and J-115-FS Flat grid strainer with connected overflow.



OVAL LAVATORY WITH LEDGE - LESS OVERFLOW - 18 GAUGE			
Model No.	O.D	I.D.	Depth
OLR-1619	16 x 19	11-3/8 x 15-1/2	6
ADA COMPLIANT - OVAL LAVATORY WITH LEDGE LESS OVERFLOW - 18 GAUGE			
OLR-ADA-1619	16 x 19	11-3/8 x 15-1/2	6

SELF-RIMMING OVAL LAVATORY LESS OVERFLOW - 18 Gauge			
Model No.	O.D	I.D.	Depth
OLR-17521	17 5/8 x 21	12 1/2 x 17 1/2	6
ADA COMPLIANT SELF-RIMMING LAVATORY WITH OVERFLOW - 18 Gauge			
OLR-ADA-17521	17 5/8 x 21	12 1/2 x 17 1/2	6

OVAL LAVATORY WITH LEDGE - WITH OVERFLOW - 18 GAUGE			
Model No.	O.D	I.D.	Depth
OLF-1619	16 x 19	11-3/8 x 15-1/2	6
ADA COMPLIANT - OVAL LAVATORY WITH LEDGE WITH OVERFLOW - 18 GAUGE			
OLF-ADA-1619	16 x 19	11-3/8 x 15-1/2	6

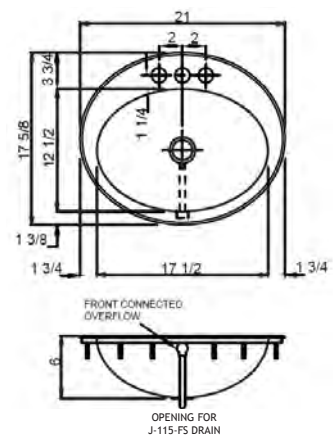
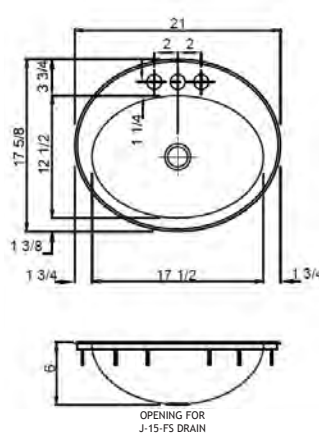
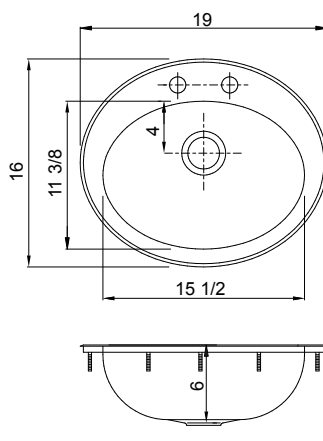
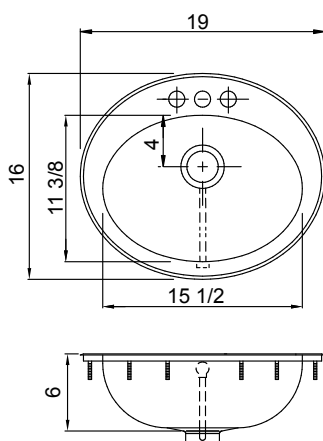
SELF-RIMMING OVAL LAVATORY WITH OVERFLOW - 18 Gauge			
Model No.	O.D	I.D.	Depth
OLF-17521	17 5/8 x 21	12 1/2 x 17 1/2	6
ADA COMPLIANT SELF-RIMMING LAVATORY WITH OVERFLOW - 18 Gauge			
OLF-ADA-17521	17 5/8 x 21	12 1/2 x 17 1/2	6

OLF SERIES

OLR SERIES

OLR SERIES

OLF SERIES



Recycled Stainless, The Value Option



All dimensions shown in inches.

LAVATORY GROUP

**SPECIFICATIONS**

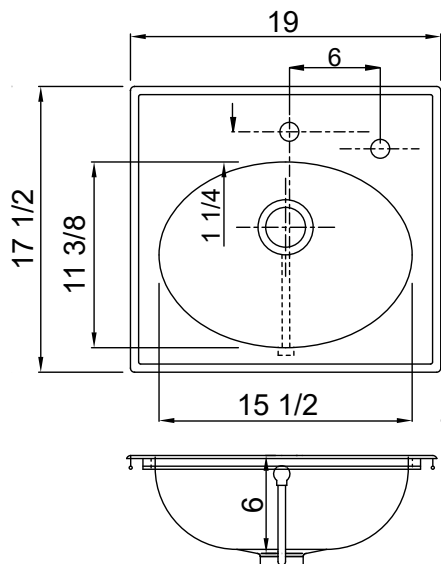
- JUST Lavatory Group, seamless die-drawn constructed of 18 and 20 gauge type 304, 18-8, stainless steel
- Interior surfaces polished to a non-porous Satin blended No. 4 JUST finish
- Fully coated underside insulates for sound and reduces condensation
- Drain punch LAV J-115-FS for models with overflow
- Drain punch J-15-FS for models less overflow




**LOLF-17519-A-GR-S**

includes: JSL-100-AC Sensor faucet, JHDD-2000 stainless steel vandal resistant soap dispenser and a J-115-FS grid drain.

**LOLF-17519-A-GR-S**



**SELF RIMMING DROP-IN LAVATORIES WITH OVER FLOW - 18 GAUGE**

Model No.	O.D.	I.D.	Depth
LOLF-17519-A-GR-S+	17-1/2 x 19	11-3/8 x 15-1/2	6
 LOLF-ADA-17519-A-GR-S++	17-1/2 x 19	11-3/8 x 15-1/2	6




**SELF RIMMING DROP-IN LAVATORIES WITH OVER FLOW - 20 GAUGE**

Model No.	O.D.	I.D.	Depth
LOLF-17519-B-GR-S+	17-1/2 x 19	11-3/8 x 15-1/2	6

+ Includes: JSL-100-AC Sensor faucet, JHDD-2000 soap dispenser and J-115-FS grid drain.  
 ++ Includes: JSL-100-AC Sensor faucet, JHDD-2000 soap dispenser and J-ADA-115-FS grid drain.  
 O.D. - Overall Dimensions  
 I.D. - Inside Dimensions

**SELF RIMMING DROP-IN LAVATORIES - 18 GAUGE**

Model No.	O.D.	I.D.	Depth
LOLR-17519-A-GR-S+	17-1/2 x 19	11-3/8 x 15-1/2	6
 LOLR-ADA-17519-A-GR-S++	17-1/2 x 19	11-3/8 x 15-1/2	6

**SELF RIMMING DROP-IN LAVATORIES - 20 GAUGE**

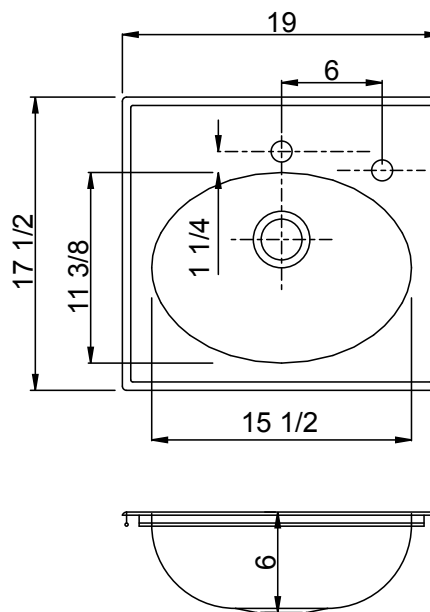
Model No.	O.D.	I.D.	Depth
LOLR-17519-B-GR-S+	17-1/2 x 19	11-3/8 x 15-1/2	6

+ Includes: JSL-100-AC Sensor faucet, JHDD-2000 soap dispenser and J-15-FS grid drain.  
 ++ Includes: JSL-100-AC Sensor faucet, JHDD-2000 soap dispenser and J-ADA-15-FS grid drain.  
 O.D. - Overall Dimensions  
 I.D. - Inside Dimensions



**ADA COMPLIANT**  
 JUST ADA topmount Lavatory Group complies with the Americans with Disabilities Act (ADA). Bowl depth as cataloged is ADA compliant, height of countertop must be factored in.

**LOLR-17519-A-GR-S (LESS OVERFLOW VERSION)**





**SPECIFICATIONS**

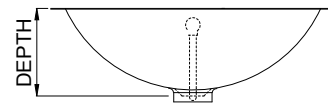
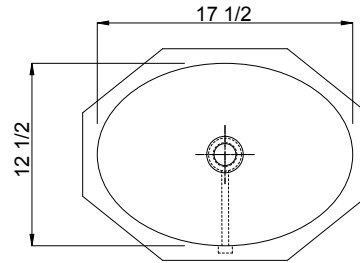
- JUST Undermount Group A and B, seamless die-drawn construction 18 and 20 gauge type 304, 18-8, stainless steel
- Interior surfaces polished to a non-porous Fully-Blended JUST finish
- Generous capacity 12 1/2 x 17 1/2" oval undermount lavatory bowl.
- Opening for J-15 drain or J-115-FS lavatory drain.
- Fully coated underside insulates for sound and reduces condensation
- Conforms to ASME/ANSI A112.19.3M

UOIF-ADA-1521-T

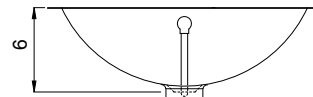
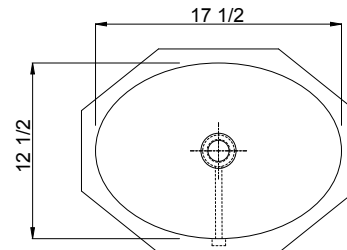


Includes J-981 lavatory faucet and J-115-FS drain.

UOIF-ADA-1521 SERIES



UOIF-1521 SERIES



UOIR-ADA-1521-T



Includes J-981 lavatory faucet and J-15-FS drain.

UNDERMOUNT OVAL LAVATORY WITH OVERFLOW – 18 GAUGE				
Model No.	O.D.	I.D.	Depth	
UOIF-1521-A	15 1/4 x 21 1/2	12 1/2 x 17 1/2	6	


UNDERMOUNT OVAL LAVATORY WITH OVERFLOW – 20 GAUGE				
Model No.	O.D.	I.D.	Depth	
UOIF-1521-B	15 1/4 x 21 1/2	12 1/2 x 17 1/2	6	

ADA COMPLIANT UNDERMOUNT OVAL LAVATORY WITH OVERFLOW – 18 GAUGE				
Model No.	O.D.	I.D.	Depth	
UOIF-ADA-1521-A	15 1/4 x 21 1/2	12 1/2 x 17 1/2	4 1/2, 5 and 5 1/2	

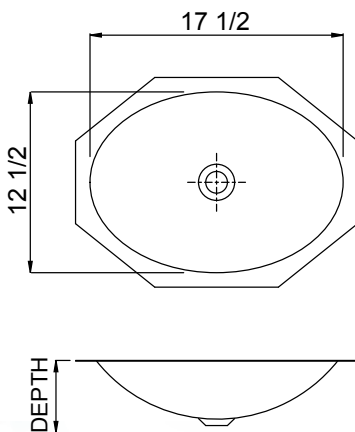
UNDERMOUNT OVAL LAVATORY – LESS OVERFLOW – 18 GAUGE				
Model No.	O.D.	I.D.	Depth	
UOIR-1521-A	15 1/4 x 21 1/2	12 1/2 x 17 1/2	6	

UNDERMOUNT OVAL LAVATORY – LESS OVERFLOW – 20 GAUGE				
Model No.	O.D.	I.D.	Depth	
UOIR-1521-B	15 1/4 x 21 1/2	12 1/2 x 17 1/2	6	

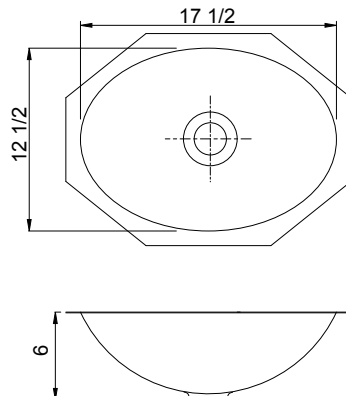
ADA COMPLIANT UNDERMOUNT OVAL LAVATORY – LESS OVERFLOW – 18 GAUGE				
Model No.	O.D.	I.D.	Depth	
UOIR-ADA-1521-A	15 1/4 x 21 1/2	12 1/2 x 17 1/2	4 1/2, 5 and 5 1/2	

 **ADA COMPLIANT**  
 JUST ADA topmount Lavatory Group complies with the Americans with Disabilities Act (ADA). Bowl depth as cataloged is ADA compliant, height of countertop must be factored in.

UOIR-ADA-1521 SERIES



UOIR-1521 SERIES



Recycled Stainless, The Value Option



All dimensions shown in inches.

LAVATORY GROUP



SPECIFICATIONS - ACADEMIC GROUP A & B - 18 & 20 GAUGE

JUST ADA Academic Group A, seamless die-drawn construction of 18 gauge type 304, 18-8, stainless steel • Interior surfaces polished to a non-porous Satin blended No. 4 JUST finish, with highlighted bowl rim • Smooth, fully coated underside insulates for sound and reduces condensation • Straight-sided compartment with 1 3/4" radius corners provides greater capacity • Self-rimming top mount Grip-Rim Plus with 300 series stainless steel mounting channels • Conforms to ASME/ANSI A112.19.3M • Drain punch #35 centered at rear, for Just J-35 unless otherwise specified

CRA-ADA-1725-A-GR-T

Includes: JSFVR-5 Stainless Steel Vandal Resistant Faucet, JSB-10-FLX-VR Flexible anti-microbial mouthguard vandal resistant bubbler, J-ADA-35-SSF Drain system



100% ALL STAINLESS STEEL PACKAGE

Bowl depths available 4-1/2" Through 6-1/2", in 1/2" increments. Specify depth. Specify drain location on all ADA Compliant sinks; center / left rear / right rear or center rear location. Unless otherwise specified drain location is centered at rear of bowl.

TYPE 316 Most JUST Stylist 18 gauge models are available in type 316 Stainless Steel, which offers greater corrosion resistance in harsh environments.

FAUCET LEDGE LEFT/ BUBBLER LEDGE RIGHT - 18 GAUGE			
Model No.	O.D.1	I.D.2	Depth
CRA-ADA-1725-A-GR	17 x 25	14 x 16	4-1/2 to 6-1/2
CRA-ADA-1923-A-GR	19 x 23	16 x 14	4-1/2 to 6-1/2
CRA-ADA-1928-A-GR	19 x 28	16 x 19	4-1/2 to 6-1/2
CRA-ADA-1931-A-GR	19 x 31	16 x 22	4-1/2 to 6-1/2
CRA-ADA-2225-A-GR	22 x 25	19 x 16	4-1/2 to 6-1/2

WITH INTEGRA-FLOW SYSTEM

CRAF-ADA-1725-A-GR	17 x 25	14 x 16	4-1/2 to 6-1/2
CRAF-ADA-1923-A-GR	19 x 23	16 x 14	4-1/2 to 6-1/2
CRAF-ADA-1928-A-GR	19 x 28	16 x 19	4-1/2 to 6-1/2
CRAF-ADA-1931-A-GR	19 x 31	16 x 22	4-1/2 to 6-1/2
CRAF-ADA-2225-A-GR	22 x 25	19 x 16	4-1/2 to 6-1/2

FAUCET LEDGE LEFT/ BUBBLER LEDGE RIGHT - 20 GAUGE  
Drain location: center only

Model No.	O.D.1	I.D.2	Depth
CRA-ADA-1725-B-GR	17 x 25	14 x 16	6-1/2

FAUCET LEDGE REAR/BUBBLER LEDGE RIGHT - 18 GAUGE

Model No.	O.D.1	I.D.2	Depth
CRB-ADA-2022-A-GR	20 x 22	14 x 16	4-1/2 to 6-1/2
CRB-ADA-2220-A-GR	22 x 20	16 x 14	4-1/2 to 6-1/2
CRB-ADA-2225-A-GR	22 x 25	16 x 19	4-1/2 to 6-1/2

WITH INTEGRA-FLOW SYSTEM

CRBF-ADA-2022-A-GR	20 x 22	14 x 16	4-1/2 to 6-1/2
CRBF-ADA-2220-A-GR	22 x 20	16 x 14	4-1/2 to 6-1/2
CRBF-ADA-2225-A-GR	22 x 25	16 x 19	4-1/2 to 6-1/2

1 O.D. - Overall Dimensions (Front-to-Back X Left-to-Right)

2 I.D. - Inside Dimensions (Front-to-Back X Left-to-Right)

3 Suffix "L" or "R" indicates location of faucet ledge

CRAF-ADA-1923-A-GR-T

Includes: JSFVR-5 Stainless Steel Vandal Resistant Faucet, JSB-10-FLX-VR Flexible anti-microbial mouthguard vandal resistant bubbler, J-ADA-35-SSF Drain system, integral overflow system



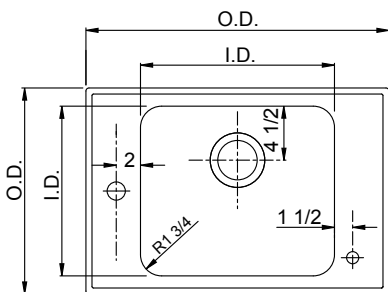
100% ALL STAINLESS STEEL PACKAGE

CRB-ADA-2225-A-GR-T

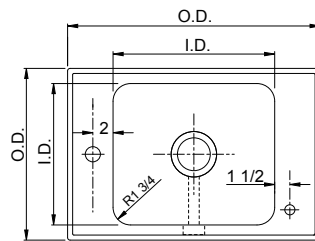
Includes: JSFVR-5 Stainless Steel Vandal Resistant Faucet, JSB-10-FLX-VR Flexible anti-microbial mouthguard vandal resistant bubbler, J-ADA-35-SSF Drain system, integral overflow system



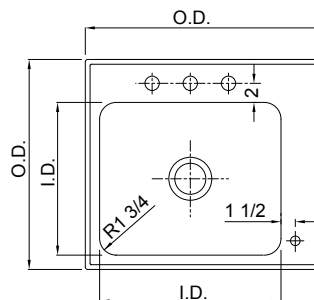
CRA-ADA- SERIES



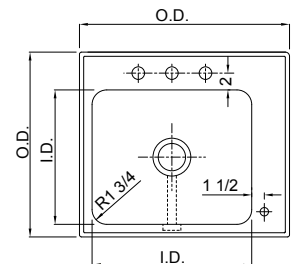
CRAF-ADA SERIES



CRB-ADA- SERIES



CRBF-ADA SERIES



All dimensions shown in inches.



**SPECIFICATIONS - ACADEMIC GROUP A - 18 GAUGE**

JUST ADA Academic Group A, seamless die-drawn construction of 18 gauge type 304, 18-8, stainless steel • Interior surfaces polished to a non-porous Satin blended No. 4 JUST finish, with highlighted bowl rim • Smooth, fully coated underside insulates for sound and reduces condensation • Straight-sided compartment with 1 3/4" radius corners provides greater capacity • Self-rimming top mount Grip-Rim Plus with 300 series stainless steel mounting channels • Conforms to ASME/ANSI A112.19.3M • Drain punch #35 centered at rear, for Just J-35 unless otherwise specified

**CRDF-ADA-2228-A-GR-T**



CRDF-ADA-2228-A-GR-T Includes the following fittings: JOL-400-M Faucet with remote wrist blade handles. JSB-10-VR Stainless Steel Bubbler. J-ADA-35 Drain system, intergral overflow system



Bowl depths available 4-1/2" Through 6-1/2", in 1/2" increments. Specify depth. Specify drain location on all ADA Compliant sinks; center / left rear / right rear or center rear location. Unless otherwise specified drain location is centered at rear of bowl.

TYPE 316 Most JUST Stylist 18 gauge models are available in type 316 Stainless Steel, which offers greater corrosion resistance in harsh environments.

**FAUCET LEDGE REAR/BUBBLER LEDGE LEFT - 18 GAUGE**

Model No.	O.D.1	I.D.2	Depth
CRC-ADA-2022-A-GR	20 x 22	14 x 16	4-1/2 to 6-1/2
CRC-ADA-2220-A-GR	22 x 20	16 x 14	4-1/2 to 6-1/2
CRC-ADA-2225-A-GR	22 x 25	16 x 19	4-1/2 to 6-1/2

**WITH INTEGRA-FLOW SYSTEM**

CRCF-ADA-2022-A-GR	20 x 22	14 x 16	4-1/2 to 6-1/2
CRCF-ADA-2220-A-GR	22 x 20	16 x 14	4-1/2 to 6-1/2
CRCF-ADA-2225-A-GR	22 x 25	16 x 19	4-1/2 to 6-1/2

**FAUCET AND BUBBLER LEDGE - 18 GAUGE SPECIFY LEFT OR RIGHT**

Model No.	O.D.1	I.D.2	Depth
CRS-ADA-1722-A-GR-L <sup>3</sup> or R <sup>3</sup>	17 x 22	14 x 16	4-1/2 to 6-1/2
CRS-ADA-1925-A-GR-L <sup>3</sup> or R <sup>3</sup>	19 x 25	16 x 14	4-1/2 to 6-1/2
CRS-ADA-1928-A-GR-L <sup>3</sup> or R <sup>3</sup>	19 x 28	16 x 19	4-1/2 to 6-1/2
CRS-ADA-2222-A-GR-L <sup>3</sup> or R <sup>3</sup>	22 x 22	19 x 16	4-1/2 to 6-1/2

**WITH INTEGRA-FLOW SYSTEM**

CRSF-ADA-1722-A-GR-L <sup>3</sup> or R <sup>3</sup>	17 x 22	14 x 16	4-1/2 to 6-1/2
CRSF-ADA-1925-A-GR-L <sup>3</sup> or R <sup>3</sup>	19 x 25	16 x 19	4-1/2 to 6-1/2
CRSF-ADA-1928-A-GR-L <sup>3</sup> or R <sup>3</sup>	19 x 28	16 x 22	4-1/2 to 6-1/2
CRSF-ADA-2222-A-GR-L <sup>3</sup> or R <sup>3</sup>	22 x 22	19 x 16	4-1/2 to 6-1/2

**FAUCET REAR, HANDLES LEFT, BUBBLER LEDGE RIGHT, 18 GAUGE - WITH FITTINGS**

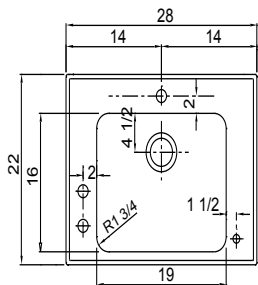
Model No.	O.D.1	I.D.2	Depth
CRD-ADA-2228-A-GR-T	22 x 28	16x19	4-1/2 to 6-1/2

**WITH INTEGRA-FLOW SYSTEM**

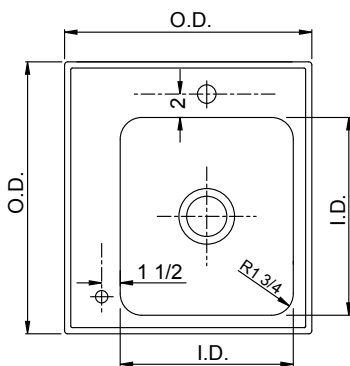
CRDF-ADA-2228-A-GR-T	22 x 28	16x19	4-1/2 to 6-1/2
----------------------	---------	-------	----------------

- 1 O.D. - Overall Dimensions (Front-to-Back X Left-to-Right)
- 2 I.D. - Inside Dimensions (Front-to-Back X Left-to-Right)
- 3 Suffix "L" or "R" indicates location of faucet ledge

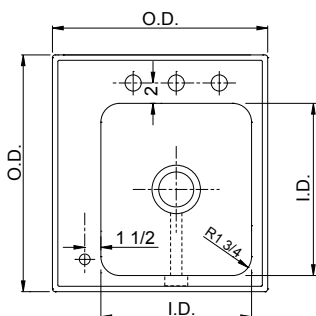
**CRD-ADA-2228-A-GR-T**



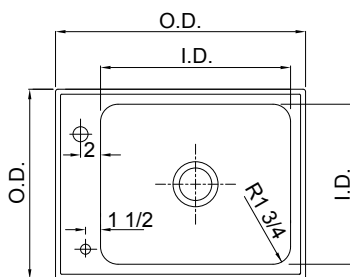
**CRC-ADA- SERIES**



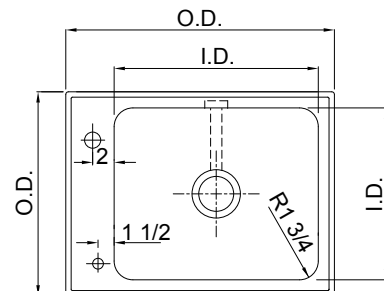
**CRCF-ADA SERIES**



**CRS-ADA-L SERIES**



**CRSF-ADA-L SERIES**



Recycled Stainless, The Value Option



All dimensions shown in inches.

ADA COMPLIANT CLASSROOM SINKS

**SPECIFICATIONS - 18 OR 20 GAUGE**

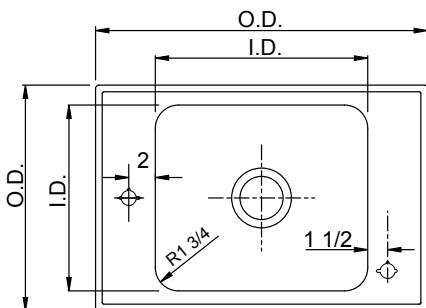
- JUST Stylist Group A and B, seamless die-drawn construction of 18 gauge type 304, 18-8, stainless steel
- Interior surfaces polished to a non-porous Satin blended No. 4 JUST finish, with highlighted bowl rim
- Fully coated underside insulates for sound and reduces condensation
- Straight-sided sink bowl with 1 3/4" radius corners provides greater capacity
- Self-rimming top mount Grip-Rim Plus with 300 series stainless steel mounting channels
- Conforms to ASME/ANSI A112.19.3M
- Sink punched #35 centered, for Just J-35 unless otherwise specified

**CRA-1521-A-GR-T**

Includes: JVR-1 Vandal Resistant Faucet, JSB-10-VR Vandal Resistant Bubbler, J-ADA-35-SSF ADA Compliant Drain System



CRA-SERIES



**FAUCET LEDGE LEFT/BUBBLER LEDGE RIGHT - 18 GAUGE**

Model No.	O.D.1	I.D.2	Depth
CRA-1521-A-GR	15 x 21	12 x 12	7-1/2
CRA-14525-A-GR	14-1/2 x 25	11-1/2 x 16	7-1/2
CRA-1723-A-GR	17 x 23	14 x 14	7-1/2
CRA-1925-A-GR	19 x 25	16 x 16	7-1/2

**WITH INTEGRA-FLOW SYSTEM**

CRAF-1521-A-GR	15 x 21	12 x 12	7-1/2
CRAF-14525-A-GR	14-1/2 x 25	11-1/2 x 16	7-1/2
CRAF-1723-A-GR	17 x 23	14 x 14	7-1/2
CRAF-1925-A-GR	19 x 25	16 x 16	7-1/2

**FAUCET LEDGE LEFT/BUBBLER LEDGE RIGHT - 20 GAUGE**

Model No.	O.D.1	I.D.2	Depth
CRA-1521-B-GR	15 x 21	12 x 12	7
CRA-14525-B-GR	14-1/2 x 25	11-1/2 x 16	7
CRA-1723-B-GR	17 x 23	14 x 14	7
CRA-1925-B-GR	19 x 25	16 x 16	7

**ADA COMPLIANT CLASSROOM SINKS FOR MODULAR AND CONVENTIONAL ENVIRONMENTS**

**SPECIFICATIONS - ACADEMIC GROUP A - 18 GAUGE**



- JUST ADA Academic Group A, seamless die-drawn construction of 18 gauge type 304, 18-8, stainless steel
- Interior surfaces polished to a non-porous Satin blended No. 4 JUST finish, with highlighted bowl rim
- Smooth fully coated underside insulates for sound and reduces condensation
- Straight-sided sink bowl with 1 3/4" radius corners provides greater capacity
- Self-rimming top mount Grip-Rim Plus with 300 series stainless steel mounting channels
- Conforms to ASME/ANSI A112.19.3M
- Drain punched #35 centered at rear, for Just J-35 unless otherwise specified

**CRA-ADA-14525-A-GR-T**



Includes: JSFVR-5 Stainless Steel Faucet, JSB-10-FLX-VR Flexible anti-microbial mouthguard Stainless Steel bubbler, J-ADA-35-SSF Drain system



100% ALL STAINLESS STEEL PACKAGE

**FAUCET LEDGE LEFT/BUBBLER LEDGE RIGHT - 18 GAUGE**

Model No.	O.D.1	I.D.2	Depth
CRA-ADA-1521-A-GR	15 x 21	12 x 12	4-1/2 to 6-1/2
CRA-ADA-14525-A-GR	14-1/2 x 25	11-1/2 x 16	4-1/2 to 6-1/2
CRA-ADA-1723-A-GR	17 x 23	14 x 14	4-1/2 to 6-1/2
CRA-ADA-1925-A-GR	19 x 25	16 x 16	4-1/2 to 6-1/2

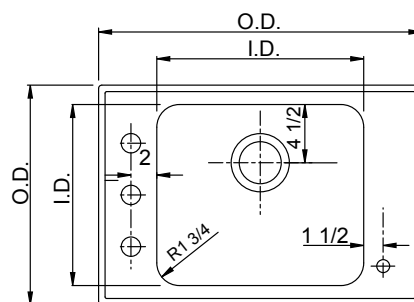
**WITH INTEGRA-FLOW SYSTEM**

CRAF-ADA-1521-A-GR	15 x 21	12 x 12	4-1/2 to 6-1/2
CRAF-ADA-14525-A-GR	14-1/2 x 25	11-1/2 x 16	4-1/2 to 6-1/2
CRAF-ADA-1723-A-GR	17 x 23	14 x 14	4-1/2 to 6-1/2
CRAF-ADA-1925-A-GR	19 x 25	16 x 16	4-1/2 to 6-1/2

Bowl depths available 4-1/2" Through 6-1/2", in 1/2" increments. Specify depth. Specify drain location on all ADA Compliant sinks; center / left rear / right rear or center rear location. Unless otherwise specified drain location is centered at rear of bowl.

TYPE 316 Most JUST Stylist 18 gauge models are available in type 316 Stainless Steel, which offers greater corrosion resistance in harsh environments.

**CRA-ADA SERIES**



- 1 O.D. - Overall Dimensions (Front-to-Back X Left-to-Right)
- 2 I.D. - Inside Dimensions (Front-to-Back X Left-to-Right)
- 3 Drain punched centered.

All dimensions shown in inches.





**JTR-51-70-VR**

Concealed faucet. 6 5/8" triple radius spout. Arc of swing spout restricted to 70°. Polished chrome. Cast brass body. Vandal resistant chrome plated die cast teardrop handles. Replaceable seats. 1.5 GPM vandal resistant flow restricting aerator. Deck to top of spout 12-1/2". Deck to aerator 10". Options: W4, W6, B, LRS, VR-A, VR-H, VRH/A.



**JVR-1**

Vandal resistant deck mounted single tap classroom faucet. Solid cast brass body with polished chrome finish. Replaceable seats. Vandal resistant chrome plated die cast lever handle. 10-15/16" high, 4" reach, rigid brass gooseneck spout. 1.5 GPM vandal resistant flow restricting aerator. Options: LRS, VR-A, VR-H, VRH/A.



**ALL STAINLESS STEEL**

**CLASSROOM SINK BUBBLER**

**JSB-10-FLX-VR**

Flexible anti-microbial mouthguard self closing push button vandal resistant bubbler. Totally Lead Free construction of type 304 stainless steel. Replaceable stainless steel cartridge. Adjustable flow regulator. 1/2-14 NPS shank. Highly buffed finish. Vandal resistant pin helps prevent turning of fixture. NSF.61 approved.

Flexible Anti-microbial Mouthguard

(Smooth flexible mouthguard with self closing push button)



**CLASSROOM FAUCET**

**JSFVR-5**

Deck mounted single handle ADA Compliant faucet. Features include all stainless steel body, spout, handle and supply pipe and ceramic disc cartridge. Polished stainless mirror finish. Aerator integral to spout and vandal resistant. Aerator removable with proprietary faucet wrench. Deck to top of spout 14". Deck to aerator 9-3/4".



Twice as Strong as Brass!

**JWF-200-R70-VR**

Concealed faucet with 8-3/4" reach, high rise spout. Arc of swing spout restricted to 70°. Cast brass body with die cast vandal resistant teardrop handles. Polished chrome plated finish. Replaceable seats. 1.5 GPM vandal resistant flow restricting aerator. Deck to top of spout 11-5/8". Deck to aerator 10-5/8".



**JGN-1A**

Deck mounted single supply with 4-11/16" reach, rigid gooseneck spout and 1.5 GPM flow restricting aerator. Chrome plated cast brass body with lever handle. Deck to top of spout 12-11/16". Deck to aerator 8 5/8". Replaceable seats. Specify hot "H" or cold "C". Options: W4, W6, VR-A, VR-H, VRH/A.



**ADA COMPLIANT DRAIN SYSTEMS**

**J-ADA-35**

Stainless steel cup strainer with removable stainless steel basket. 1-1/2" O.D. 17 gauge chrome plated brass offset tailpiece system.



**CLASSROOM SINK BUBBLER**

**JBB-5**

Self closing lever controlled offset bubbler. Solid cast brass body. Cast brass lever arm handle. Conforms to ANSI A112.18.1. ADA Compliant. 1/2"-14 NPT male shank. Polished chrome finish. NSF.61 approved.



Vandal resistant sink models shown on page 33

**VANDAL RESISTANT DRAINS**

**J-35-SSF-VR**

Stainless steel #35 flat grid vandal resistant drain. Includes 1-1/2" O.D. stainless steel tailpiece 4" long.



Vandal resistant sink models shown on page 33

FAUCETS AND BUBBLERS

All faucets conform to lead free requirements of NSF/ANSI 372-2011 and the U.S. Safe Drinking Water Act.



Recycled Stainless, The Value Option

All dimensions shown in inches.



SPECIFICATIONS - ACADEMIC GROUP A & B - 18 GAUGE - 20 GAUGE

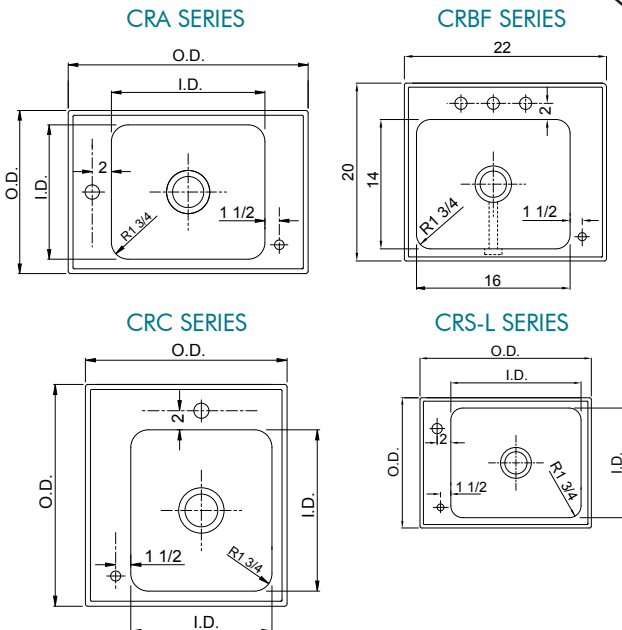
- JUST Academic Group A & B, seamless die-drawn construction of 18 gauge or 20 gauge type 304, 18-8, stainless steel
- Interior surfaces polished to a non-porous Satin blended No. 4 JUST finish, with highlighted bowl rim
- Fully coated underside insulates for sound and reduces condensation
- Straight-sided compartment with 1 3/4" radius corners provides greater capacity
- Self-rimming top mount Grip-Rim Plus with 300 series stainless steel mounting channels
- Conforms to ASME/ANSI A112.19.3M
- Drain punch #35 centered, for Just J-35 unless otherwise specified

CRAF-1725-A-GR-T

Includes: JVR-1Vandal Resistant Faucet, JSB-10-VR Vandal Resistant Bubbler, J-35 Drain system, integra-flow system



TYPE 316 Most JUST Stylist 18 gauge models are available in type 316 Stainless Steel, which offers greater corrosion resistance in harsh environments.



FAUCET LEDGE LEFT/BUBBLER LEDGE RIGHT - 18 GAUGE			
Model No.	O.D.1	I.D.2	Depth
CRA-1725-A-GR	17 x 25	14 x 16	8
CRA-1923-A-GR	19 x 23	16 x 14	8
CRA-1928-A-GR	19 x 28	16 x 19	7-1/2
CRA-1931-A-GR	19 x 31	16 x 22	8
CRA-2225-A-GR	22 x 25	19 x 16	7-1/2

WITH INTEGRA-FLOW SYSTEM			
CRAF-1725-A-GR	17 x 25	14 x 16	8
CRAF-1923-A-GR	19 x 23	16 x 14	8
CRAF-1928-A-GR	19 x 28	16 x 19	7-1/2
CRAF-1931-A-GR	19 x 31	16 x 22	8
CRAF-2225-A-GR	22 x 25	19 x 16	7-1/2

FAUCET LEDGE REAR/BUBBLER LEDGE RIGHT - 18 GAUGE			
Model No.	O.D.1	I.D.2	Depth
CRB-2022-A-GR	20 x 22	14 x 16	8
CRB-2220-A-GR	22 x 20	16 x 14	8
CRB-2225-A-GR	22 x 25	16 x 19	7-1/2
CRB-2228-A-GR	22 x 28	16 x 22	7-1/2

WITH INTEGRA-FLOW SYSTEM			
CRBF-2022-A-GR	20 x 22	14 x 16	8
CRBF-2220-A-GR	22 x 20	16 x 14	8
CRBF-2225-A-GR	22 x 25	16 x 19	7-1/2
CRBF-2228-A-GR	22 x 28	16 x 22	8

FAUCET LEDGE REAR/BUBBLER LEDGE LEFT - 18 GAUGE			
Model No.	O.D.1	I.D.2	Depth
CRC-2022-A-GR	20 x 22	14 x 16	8
CRC-2220-A-GR	22 x 20	16 x 14	8
CRC-2225-A-GR	22 x 25	16 x 19	7-1/2
CRC-2228-A-GR	22 x 28	16 x 22	8

WITH INTEGRA-FLOW SYSTEM			
CRCF-2022-A-GR	20 x 22	14 x 16	8
CRCF-2220-A-GR	22 x 20	16 x 14	8
CRCF-2225-A-GR	22 x 25	16 x 19	7-1/2
CRCF-2228-A-GR	22 x 28	16 x 22	8

FAUCET AND BUBBLER LEDGE - 18 GAUGE - SPECIFY LEFT OR RIGHT			
Model No.	O.D.1	I.D.2	Depth
CRS-1722-A-GR-L <sup>3</sup> or R <sup>3</sup>	17 x 22	14 x 16	8
CRS-1925-A-GR-L <sup>3</sup> or R <sup>3</sup>	19 x 25	16 x 19	7-1/2
CRS-1928-A-GR-L <sup>3</sup> or R <sup>3</sup>	19 x 28	16 x 22	8
CRS-2222-A-GR-L <sup>3</sup> or R <sup>3</sup>	22 x 22	19 x 16	7-1/2

WITH INTEGRA-FLOW SYSTEM			
CRSF-1722-A-GR-L <sup>3</sup> or R <sup>3</sup>	17 x 22	14 x 16	8
CRSF-1925-A-GR-L <sup>3</sup> or R <sup>3</sup>	19 x 25	16 x 19	7-1/2
CRSF-1928-A-GR-L <sup>3</sup> or R <sup>3</sup>	19 x 28	16 x 22	8
CRSF-2222-A-GR-L <sup>3</sup> or R <sup>3</sup>	22 x 22	19 x 16	7-1/2

FAUCET LEDGE LEFT/BUBBLER LEDGE RIGHT - 20 GAUGE			
Model No.	O.D.1	I.D.2	Depth
CRA-1725-B-GR	17 x 25	14 x 16	7
CRA-1923-B-GR	19 x 23	16 x 14	7
CRA-1928-B-GR	19 x 28	16 x 19	7
CRA-1931-B-GR	19 x 31	16 x 22	7
CRA-2225-B-GR	22 x 25	19 x 16	7

FAUCET LEDGE REAR/BUBBLER LEDGE RIGHT - 20 GAUGE			
Model No.	O.D.1	I.D.2	Depth
CRB-2022-B-GR	20 x 22	14 x 16	7
CRB-2220-B-GR	22 x 20	16 x 14	7
CRB-2225-B-GR	22 x 25	16 x 19	7
CRB-2228-B-GR	22 x 28	16 x 22	7

FAUCET LEDGE REAR/BUBBLER LEDGE LEFT - 20 GAUGE			
Model No.	O.D.1	I.D.2	Depth
CRC-2022-B-GR	20 x 22	14 x 16	7
CRC-2220-B-GR	22 x 20	16 x 14	7
CRC-2225-B-GR	22 x 25	16 x 19	7
CRC-2228-B-GR	22 x 28	16 x 22	7

FAUCET AND BUBBLER LEDGE - 20 GAUGE - SPECIFY LEFT OR RIGHT			
Model No.	O.D.1	I.D.2	Depth
CRS-1722-B-GR-L <sup>3</sup> or R <sup>3</sup>	17 x 22	14 x 16	7
CRS-1925-B-GR-L <sup>3</sup> or R <sup>3</sup>	19 x 25	16 x 19	7
CRS-1928-B-GR-L <sup>3</sup> or R <sup>3</sup>	19 x 28	16 x 22	7
CRS-2222-B-GR-L <sup>3</sup> or R <sup>3</sup>	22 x 22	19 x 16	7

1 O.D. - Overall Dimensions (Front-to-Back X Left-to-Right)  
 2 I.D. - Inside Dimensions (Front-to-Back X Left-to-Right)  
 3 Suffix "L" or "R" indicates location of faucet ledge.



AVAILABLE - ADA COMPLIANT  
 These 18 gauge units are available ADA Compliant.  
 See pages 31 and 32 for details.



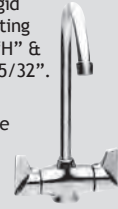
**SPECIFICATIONS - ACADEMIC GROUP A - 18 GAUGE**

- JUST Academic Group A, seamless die-drawn construction of 18 gauge type 304, 18-8, stainless steel
- Interior surfaces polished to a non-porous Satin blended No. 4 JUST finish, with highlighted bowl rim
- Smooth, fully coated underside insulates for sound and reduces condensation
- Straight-sided compartment with 1 3/4" radius corners provides greater capacity
- Self-rimming top mount Grip-Rim Plus with 300 series stainless steel mounting channels
- Conforms to ASME/ANSI A112.19.3M
- Sink punched #35 centered, for Just J-35 unless otherwise specified

**Optional 2 handle ADA compliant vandal resistant mixing faucet JGN-745-VR**

Deck mount single hole gooseneck faucet with 4-15/16" reach, rigid spout and 1.5 GPM flow restricting aerator. Handles are indexed "H" & "C". Deck to top of spout 11-15/32". Deck to aerator 8-15/32".

All faucets conform to lead free requirements of NSF/ANSI 372-2011 and the U.S. Safe Drinking Water Act.



**CRAF-1923-A-GR-VR-T**

Includes: JSFVR-5 Stainless Steel Vandal Resistant Faucet, JSB-10-FLX-VR Stainless Steel Flexible anti-microbial mouthguard bubbler, J-35-SSF-VR Drain, integra-flow system



VANDAL RESISTANT

100% ALL STAINLESS STEEL PACKAGE

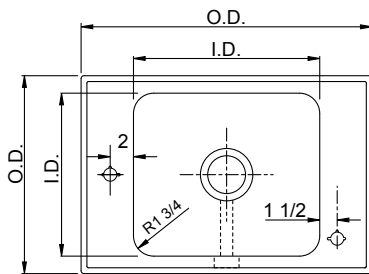


Bowl depths available 4-1/2" Through 6-1/2", in 1/2" increments. Specify depth. Specify drain location on all ADA Compliant sinks; center / center left / center right / left rear / right rear or center rear location. Unless otherwise specified drain location is centered at rear of bowl.

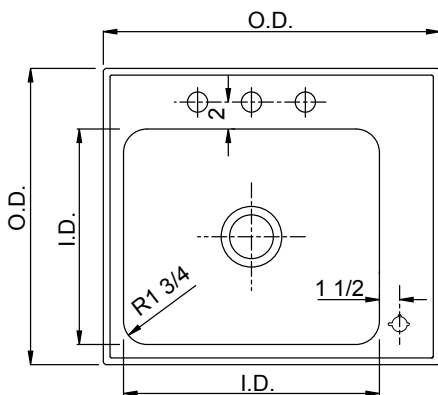
TYPE 316 Most JUST Stylist 18 gauge models are available in type 316 Stainless Steel, which offers greater corrosion resistance in harsh environments.

CRA-VR Models include the following fittings:  
JSVR-5 Stainless Steel Vandal Resistant Faucet  
JSB-10-FLX-VR Stainless Steel Vandal Resistant Bubbler  
J-35-SSF-VR Stainless Steel Vandal Resistant Flat grid strainer  
See page 34 for specifications.

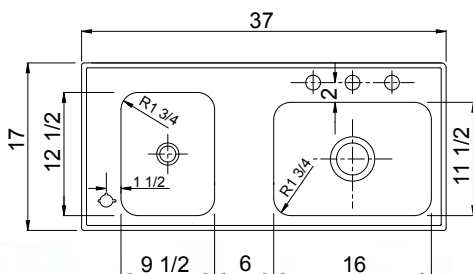
**CRAF-VR SERIES**



**CRB-VR SERIES**



**DCR-VR SERIES**



**FAUCET LEDGE LEFT - BUBBLER LEDGE RIGHT - 18 GAUGE**

Model No.	O.D.1	I.D.2	Depth
CRA-1725-A-GR-VR	17 x 25	14 x 16	8
CRA-1923-A-GR-VR	19 x 23	16 x 14	7-1/2
CRA-1931-A-GR-VR	19 x 31	16 x 22	8

**WITH INTEGRA-FLOW SYSTEM**

CRAF-1725-A-GR-VR	17 x 25	14 x 16	8
CRAF-1923-A-GR-VR	19 x 23	16 x 14	7-1/2
CRAF-1931-A-GR-VR	19 x 31	16 x 22	8

CRB-VR Models include the following fittings:  
JWF-200-R70-VR Vandal Resistant Faucet  
JSB-10-FLX-VR Flexible anti-microbial mouthguard bubbler  
J-35-SSF-VR Vandal Resistant Flat grid strainer  
See page 29 for specifications.

**FAUCET LEDGE REAR - BUBBLER LEDGE RIGHT - 18 GAUGE**

Model No.	O.D.1	I.D.2	Depth
CRB-2022-A-GR-VR	20 x 22	14 x 16	8
CRB-2225-A-GR-VR	22 x 25	16 x 19	7-1/2

**WITH INTEGRA-FLOW SYSTEM**

CRBF-2022-A-GR-VR	20 x 22	14 x 16	8
CRBF-2225-A-GR-VR	22 x 25	16 x 19	7-1/2

DCR-VR Models include the following fittings:  
JTR-51-R70-VR Vandal Resistant Faucet  
JSB-10-FLX-VR Flexible anti-microbial mouthguard bubbler  
J-35-SSF-VR Vandal Resistant Flat grid strainer  
J-15-CB Vandal Resistant Flat grid strainer  
See page 29 for specifications.

**VANDAL RESISTANT - CLASSROOM SINK WITH RECTANGULAR RECEPTOR**

Model No.	O.D.1	BOWL TYPE	I.D.2	Depth
DCR-1737-A-GR-L <sup>3</sup> or R <sup>3</sup> -VR	17 x 37	BOWL	11-1/2 x 16	7-1/2
		RECEPTOR	12 x 9	3-1/2

**WITH INTEGRA-FLOW SYSTEM**

DCRF-1737-A-GR-L <sup>3</sup> or R <sup>3</sup> -VR	17 x 37	BOWL	11-1/2 x 16	7-1/2
		RECEPTOR	12 x 9	3-1/2

1 O.D. - Overall Dimensions (Front-to-Back X Left-to-Right)  
2 I.D. - Inside Dimensions (Front-to-Back X Left-to-Right)  
3 Suffix "L" or "R" indicates location of drinking faucet receptor.



AVAILABLE - ADA COMPLIANT  
Note ADA in the prefix, i.e. CRA-1725-AGR-VR becomes CRA-ADA-1725-AGR-VR.



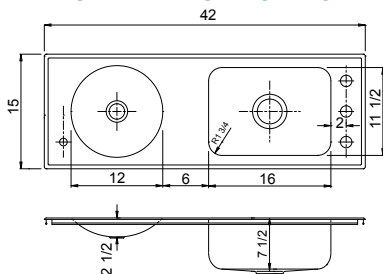
Recycled Stainless, The Value Option

All dimensions shown in inches.

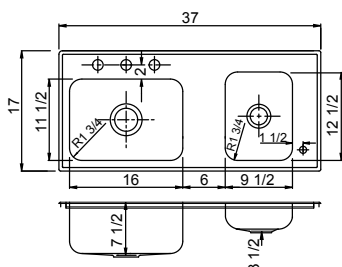
SPECIFICATIONS - ACADEMIC GROUP A - 18 GAUGE

- JUST Academic Group A, seamless die-drawn construction of 18 gauge type 304, 18-8, stainless steel
- Interior surfaces polished to a non-porous Satin blended No. 4 JUST finish, with highlighted bowl rim
- Smooth fully coated underside insulates for sound and reduces condensation
- Straight-sided sink bowl with 1 3/4" radius corners provides greater capacity
- Self-rimming top mount Grip-Rim Plus with 300 series stainless steel mounting channels
- Conforms to ASME/ANSI A112.19.3M
- Sink punched #35 for Just J-35 unless otherwise specified. Receptor punched for #15 drain opening

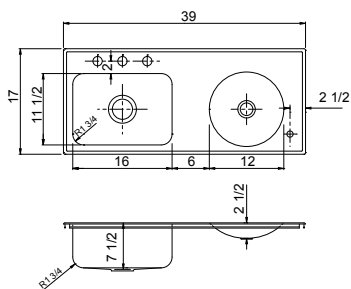
DCR-1542-A-GR-L SERIES



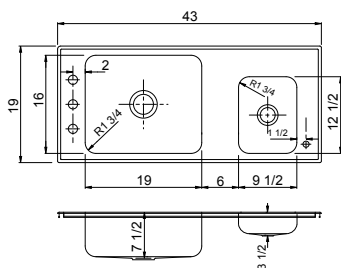
DCR-1737-A-GR-R SERIES



DCR-1739-A-GR-R SERIES



DCR-ADA-1943-A-GR-R SERIES



anti-microbial mouthguard

INCLUDES:

JRMSB-10-FLX-VR Flexible anti-microbial mouthguard bubbler with remote push button JGN-745-VR vandal resistant faucet (Hot/Cold Mix) J-35-SSF-VR drain system J15-CB drain

DCR-1737-A-GR-R-T

Includes: JGN-745-VR ADA Compliant faucet, JSB-10 VR-ADA Compliant Bubbler, J-35 Drain, J-15-CB Drain



TYPE 316 Most JUST Stylist 18 gauge models are available in type 316 Stainless Steel, which offers greater corrosion resistance in harsh environments. See Page 14 for further information.

CLASSROOM SINK WITH ROUND RECEPTOR

Model No.	O.D.1	BOWL TYPE	I.D.2	Depth
DCR-1739-A-GR-L <sup>3</sup> or R <sup>3</sup>	17 x 39	BOWL	11-1/2 x 16	7-1/2
		RECEPTOR	12 DIA	2-1/2
DCR-1542-A-GR-L <sup>3</sup> or R <sup>3</sup>	15 x 42	BOWL	11-1/2 x 16	7-1/2
		RECEPTOR	12 DIA	2-1/2

WITH INTEGRA-FLOW SYSTEM

DCRF-1542-A-GR-L <sup>3</sup> or R <sup>3</sup>	15 x 42	BOWL	11-1/2 x 16	7-1/2
		RECEPTOR	12 DIA	2-1/2
DCRF-1739-A-GR-L <sup>3</sup> or R <sup>3</sup>	17 x 39	BOWL	11-1/2 x 16	7-1/2
		RECEPTOR	12 DIA	2-1/2

CLASSROOM SINK WITH RECTANGULAR RECEPTOR

Model No.	O.D.1	BOWL TYPE	I.D.2	Depth
DCR-1737-A-GR-L <sup>3</sup> or R <sup>3</sup>	17 x 37	BOWL	11-1/2 x 16	7-1/2
		RECEPTOR	12 x 9	3-1/2
DCR-1943-A-GR-L <sup>3</sup> or R <sup>3</sup>	19 x 43	BOWL	16 x 19	7-1/2
		RECEPTOR	12 x 9	3-1/2

WITH INTEGRA-FLOW SYSTEM

DCRF-1737-A-GR-L <sup>3</sup> or R <sup>3</sup>	17 x 37	BOWL	11-1/2 x 16	7-1/2
		RECEPTOR	12 x 9	3-1/2
DCRF-1943-A-GR-L <sup>3</sup> or R <sup>3</sup>	19 x 43	BOWL	16 x 19	7-1/2
		RECEPTOR	12 x 9	3-1/2

DCR-RBT SERIES

REMOTE PUSH BUTTON BUBBLER/FAUCET SINK PACKAGES

REMOTE PUSH BUTTON CLASSROOM SINK WITH RECTANGULAR OR ROUND RECEPTOR

Model No.	O.D.1	BOWL TYPE	I.D.2	Depth
DCR-1542-A-GR-L <sup>3</sup> or R <sup>3</sup> -RBT	15 x 42	BOWL	11-1/2 x 16	7-1/2
		RECEPTOR	12 DIA	2-1/2
DCR-1737-A-GR-L <sup>3</sup> or R <sup>3</sup> -RBT	17 x 37	BOWL	11-1/2 x 16	7-1/2
		RECEPTOR	12 x 9	3-1/2
DCR-1739-A-GR-L <sup>3</sup> or R <sup>3</sup> -RBT	17 x 39	BOWL	11-1/2 x 16	7-1/2
		RECEPTOR	12 DIA	2-1/2
DCR-1943-A-GR-L <sup>3</sup> or R <sup>3</sup> -RBT	19 x 43	BOWL	16 x 19	7-1/2
		RECEPTOR	12 x 9	3-1/2

- 1 O.D. - Overall Dimensions (Front-to-Back X Left-to-Right)
- 2 I.D. - Inside Dimensions (Front-to-Back X Left-to-Right)
- 3 Suffix "L" or "R" indicates location of receptor.



AVAILABLE - ADA COMPLIANT  
These 18 gauge units are available ADA Compliant.  
See page 38 for details.

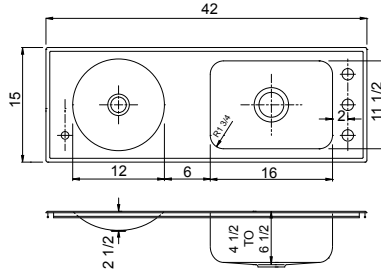
Classroom sink drinking fountain combinations meet New York State requirements.



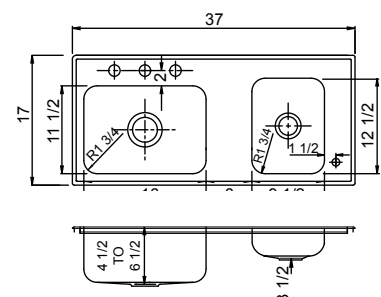
**SPECIFICATIONS - ADA COMPLIANT - 18 GAUGE**

- JUST ADA Stylist Group A, seamless die-drawn construction of 18 gauge type 304, 18-8, stainless steel
- Interior surfaces polished to a non-porous Satin blended No. 4 JUST finish, with highlighted bowl rim
- Smooth fully coated underside insulates for sound and reduces condensation
- Straight-sided sink bowl with 1 3/4" radius corners provides greater capacity
- Self-rimming top mount Grip-Rim Plus with 300 series stainless steel mounting channels
- Conforms to ASME/ANSI A112.19.3M
- Sink punched #35 centered, for Just J-35 unless otherwise specified
- Receptor punched #15

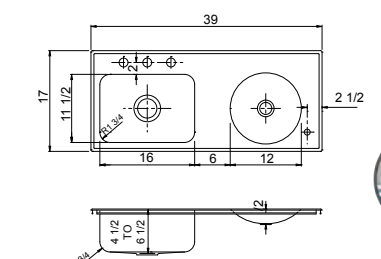
**DCR-ADA-1542-A-GR-L SERIES**



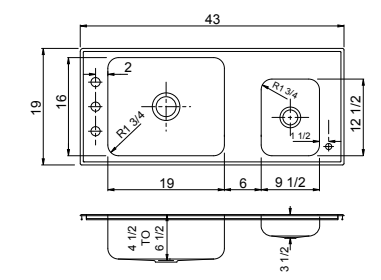
**DCR-ADA-1737-A-GR-R SERIES**



**DCR-ADA-1739-A-GR-R SERIES**



**DCR-ADA-1943-A-GR-R SERIES**



anti-microbial mouthguard

**DCR-ADA-1737-A-GR-R-T**

Includes: JGN-745-ADA Compliant faucet, JSB-10 FLX Flexible anti-microbial mouthguard bubbler, J-35 Drain, J-15-CB Drain



Bowl depths available 4-1/2" Through 6-1/2", in 1/2" increments. Specify depth. Specify drain location on all ADA Compliant sinks; center / left rear / right rear or center rear location. Unless otherwise specified drain location is centered at rear of bowl.

TYPE 316 Most JUST Stylist 18 gauge models are available in type 316 Stainless Steel, which offers greater corrosion resistance in harsh environments.

ADA COMPLIANT - CLASSROOM SINK WITH RECEPTOR- MEETS NEW YORK PLUMBING REQUIREMENTS				
Model No.	O.D.1	BOWL TYPE	I.D.2	Depth
DCR-ADA-1542-A-GR-L <sup>3</sup> or R <sup>3</sup>	15 x 42	BOWL	11-1/2 x 16	4-1/2 to 6-1/2
		RECEPTOR	12 DIA	2-1/2
DCR-ADA-1737-A-GR-L <sup>3</sup> or R <sup>3</sup>	17 x 37	BOWL	11-1/2 x 16	4-1/2 to 6-1/2
		RECEPTOR	12 x 9	3-1/2
DCR-ADA-1739-A-GR-L <sup>3</sup> or R <sup>3</sup>	17 x 39	BOWL	11-1/2 x 16	4-1/2 to 6-1/2
		RECEPTOR	12 DIA	2-1/2
DCR-ADA-1943-A-GR-L <sup>3</sup> or R <sup>3</sup>	19 x 43	BOWL	16 x 19	4-1/2 to 6-1/2
		RECEPTOR	12 x 9	3-1/2

WITH INTEGRA-FLOW SYSTEM				
Model No.	O.D.1	BOWL TYPE	I.D.2	Depth
DCRF-ADA-1542-A-GR-L <sup>3</sup> or R <sup>3</sup>	15 x 42	BOWL	11-1/2 x 16	4-1/2 to 6-1/2
		RECEPTOR	12 DIA	2-1/2
DCRF-ADA-1737-A-GR-L <sup>3</sup> or R <sup>3</sup>	17 x 37	BOWL	11-1/2 x 16	4-1/2 to 6-1/2
		RECEPTOR	12 x 9	3-1/2
DCRF-ADA-1739-A-GR-L <sup>3</sup> or R <sup>3</sup>	17 x 39	BOWL	11-1/2 x 16	4-1/2 to 6-1/2
		RECEPTOR	12 DIA	2-1/2
DCRF-ADA-1943-A-GR-L <sup>3</sup> or R <sup>3</sup>	19 x 43	BOWL	16 x 19	4-1/2 to 6-1/2
		RECEPTOR	12 x 9	3-1/2



**DCR-RBT SERIES**

**REMOTE PUSH BUTTON BUBBLER/FAUCET SINK PACKAGES**

ADA COMPLIANT CLASSROOM SINKS - MEETS NEW YORK PLUMBING REQUIREMENTS				
Model No.	O.D.1	BOWL TYPE	I.D.2	Depth
DCR-ADA-1542-A-GR-L <sup>3</sup> or R <sup>3</sup> -RBT	15 x 42	BOWL	11-1/2 x 16	4-1/2 to 6-1/2
		RECEPTOR	12 DIA	2-1/2
DCR-ADA-1737-A-GR-L <sup>3</sup> or R <sup>3</sup> -RBT	17 x 37	BOWL	11-1/2 x 16	4-1/2 to 6-1/2
		RECEPTOR	12 x 9	3-1/2
DCR-ADA-1739-A-GR-L <sup>3</sup> or R <sup>3</sup> -RBT	17 x 39	BOWL	11-1/2 x 16	4-1/2 to 6-1/2
		RECEPTOR	12 DIA	2-1/2
DCR-ADA-1943-A-GR-L <sup>3</sup> or R <sup>3</sup> -RBT	19 x 43	BOWL	16 x 19	4-1/2 to 6-1/2
		RECEPTOR	12 x 9	3-1/2

1 O.D. - Overall Dimensions (Front-to-Back X Left-to-Right)  
 2 I.D. - Inside Dimensions (Front-to-Back X Left-to-Right).  
 3 Suffix "L" or "R" indicates location of receptor.

ADA compliant classroom sink drinking fountain combinations meet New York State requirements.

**INCLUDES:**

JRMSB-10-FLX-VR Flexible anti-microbial mouthguard bubbler with remote push button JGN-745-VR vandal resistant faucet (Hot/Cold Mix) J-35-SSF-VR drain system J15-CB drain



All dimensions shown in inches.



**SPECIFICATIONS - ACADEMIC GROUP A - 18 GAUGE**

- JUST Academic Group A, seamless die-drawn construction of 18 gauge type 304, 18-8, stainless steel
- Interior surfaces polished to a non-porous Satin blended No. 4 JUST finish, with highlighted bowl rim
- Fully coated underside insulates for sound and reduces condensation
- Straight-sided compartment with 1 3/4" radius corners provides greater capacity
- Self-rimming top mount Grip-Rim Plus with 300 series stainless steel mounting channels
- Conforms to ASME/ANSI A112.19.3M
- Drain punch #35 centered, for Just J-35 and #15 for J-15-FS, unless otherwise specified

**RCR-ADA-T SERIES**

Includes: JGN-745-VR Vandal Resistant Faucet, JSB-10-FLX-VR Flexible Anti-microbial Mouthguard Vandal Resistant Stainless Steel Bubbler, J-35 Drain, J-15-FS Drain



Bowl depths available 4-1/2" Through 6-1/2", in 1/2" increments. Specify depth. Specify drain location on all ADA Compliant sinks; center /left rear / right rear or center rear location. Unless otherwise specified drain location is centered at rear of bowl.

TYPE 316 Most JUST Stylist 18 gauge models are available in type 316 Stainless Steel, which offers greater corrosion resistance in harsh environments.

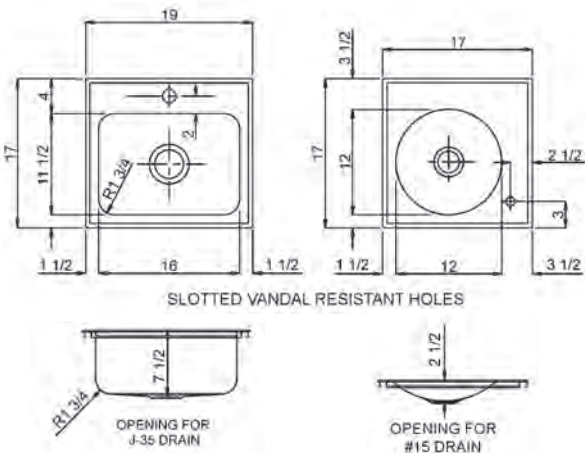
CLASSROOM SINK WITH ROUND RECEPTOR				
Model No.	O.D.1	BOWL TYPE	I.D.2	Depth
RCR-ADA-1719-17-A-GR-L <sup>3</sup> or R <sup>3</sup>	17 x 19	BOWL	11-1/2 x 16	4-1/2 to 6-1/2
	17 x 17	RECEPTOR	12 DIA	2-1/2
RCR-ADA-1522-17-A-GR-L <sup>3</sup> or R <sup>3</sup>	15 x 22	BOWL	11-1/2 x 16	4-1/2 to 6-1/2
	15 x 17	RECEPTOR	12 DIA	2-1/2



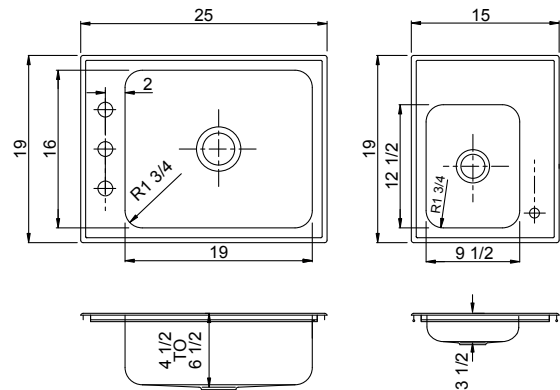
CLASSROOM SINK WITH RECTANGULAR RECEPTOR				
Model No.	O.D.1	BOWL TYPE	I.D.2	Depth
RCR-ADA-1719-15-A-GR-L <sup>3</sup> or R <sup>3</sup>	17 x 19	BOWL	11-1/2 x 16	4-1/2 to 6-1/2
	17 x 15	RECEPTOR	12 x 9	3-1/2
RCR-ADA-1925-15-A-GR-L <sup>3</sup> or R <sup>3</sup>	19 x 25	BOWL	16 x 19	4-1/2 to 6-1/2
	19 x 15	RECEPTOR	12 x 9	3-1/2

1 O.D. - Overall Dimensions (Front-to-Back X Left-to-Right)  
2 I.D. - Inside Dimensions (Front-to-Back X Left-to-Right)  
3 Suffix "L" or "R" indicates location of fountain unit.

**RCR-ADA-1719-17-A-GR-R SERIES**



**RCR-ADA-1925-15-A-GR-R SERIES**



All dimensions shown in inches.



**SPECIFICATIONS - ACADEMIC GROUP A - 18 GAUGE**

- JUST Academic Group A, seamless die-drawn construction of 18 gauge type 304, 18-8, stainless steel
- Interior surfaces polished to a non-porous Satin blended No. 4 JUST finish, with highlighted bowl rim
- Fully coated underside insulates for sound and reduces condensation
- Straight-sided compartment with 1 3/4" radius corners provides greater capacity
- Self-rimming top mount Grip-Rim Plus with 300 series stainless steel mounting channels
- Conforms to ASME/ANSI A112.19.3M
- Drain punch #35 centered, for Just J-35 and #15 for J-15-FS, unless otherwise specified

**RCF-ADA-T SERIES**

Includes: JGN-745-VR Vandal Resistant Faucet, JRMSB-10-VR Remote Push Button Vandal Resistant Bubbler System, J-35 Drain, J-15-SSF Drain



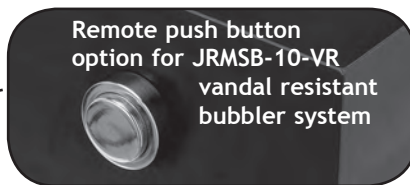
Bowl depths available 4-1/2" Through 6-1/2", in 1/2" increments. Specify depth. Specify drain location on all ADA Compliant sinks; center / left rear / right rear or center rear location. Unless otherwise specified drain location is centered at rear of bowl.

TYPE 316 Most JUST Stylist 18 gauge models are available in type 316 Stainless Steel, which offers greater corrosion resistance in harsh environments.



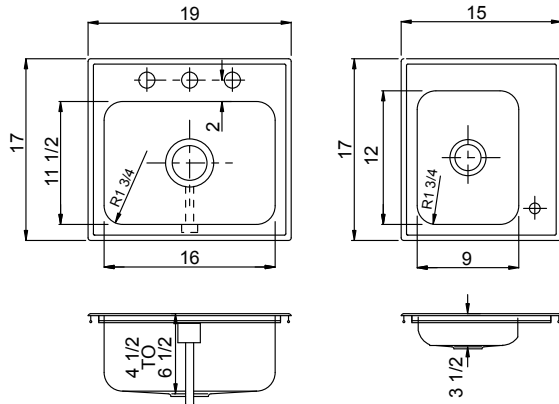
CLASSROOM SINK WITH ROUND RECEPTOR				
Model No.	O.D.1	BOWL TYPE	I.D.2	Depth
RCF-ADA-1719-17-A-GR-L <sup>3</sup> or R <sup>3</sup>	17 x 19	BOWL	11-1/2 x 16	4-1/2 to 6-1/2
	17 x 17	RECEPTOR	12 DIA	2-1/2
RCF-ADA-1522-17-A-GR-L <sup>3</sup> or R <sup>3</sup>	15 x 22	BOWL	11-1/2 x 16	4-1/2 to 6-1/2
	15 x 17	RECEPTOR	12 DIA	2-1/2

6 x 19				
Model No.	O.D.1	BOWL TYPE	I.D.2	Depth
RCF-ADA-1719-15-A-GR-L <sup>3</sup> or R <sup>3</sup>	17 x 19	BOWL	11-1/2 x 16	4-1/2 to 6-1/2
	17 x 15	RECEPTOR	12 x 9	3-1/2
RCF-ADA-1925-15-A-GR-L <sup>3</sup> or R <sup>3</sup>	19 x 25	BOWL	16 x 19	4-1/2 to 6-1/2
	19 x 15	RECEPTOR	12 x 9	3-1/2

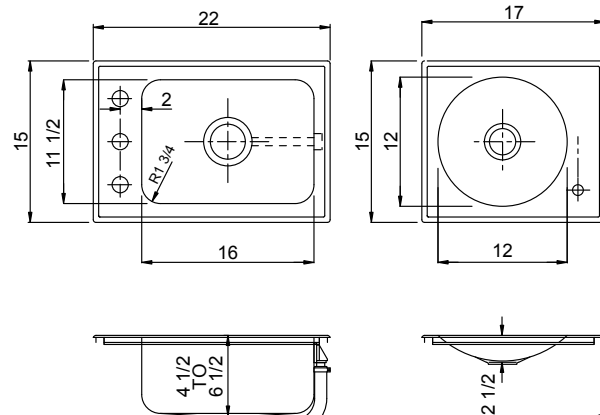


- 1 O.D. - Overall Dimensions (Front-to-Back X Left-to-Right)
- 2 I.D. - Inside Dimensions (Front-to-Back X Left-to-Right)
- 3 Suffix "L" or "R" indicates location of fountain unit.

**RCF-ADA-1719-15-A-GR-R SERIES**



**RCF-ADA-1522-17-A-GR-R SERIES**



Recycled Stainless, The Value Option



All dimensions shown in inches.

SPECIFICATIONS - ACADEMIC GROUP A - 18 GAUGE

- JUST Academic Group A, seamless die-drawn construction of 18 gauge type 304, 18-8, stainless steel
- Interior surfaces polished to a non-porous Satin blended No. 4 JUST finish, with highlighted bowl rim
- Fully coated underside insulates for sound and reduces condensation
- Straight-sided compartment with 1 3/4" radius corners provides greater capacity
- Self-rimming top mount Grip-Rim Plus with 300 series stainless steel mounting channels
- Conforms to ASME/ANSI A112.19.3M
- Drain punch #35 centered, for Just J-35 and #15 for J-15-FS, unless otherwise specified

RCR-T SERIES

Includes: ALL STAINLESS STEEL JSFVR-5 Stainless Steel Vandal Resistant Faucet, JSB-10-FLX-VR Flexible Anti-microbial Mouthguard Vandal Resistant Stainless Steel Bubbler, J-35 Drain, J-15-SSF Drain



100% STAINLESS STEEL PACKAGE

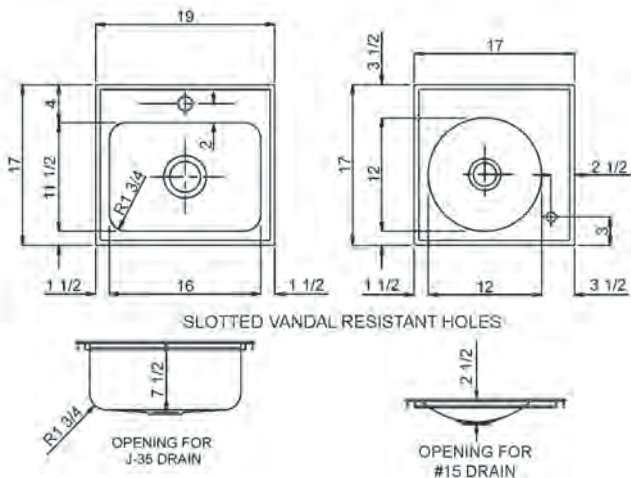
CLASSROOM SINK WITH ROUND RECEPTOR				
Model No.	O.D.1	BOWL TYPE	I.D.2	Depth
RCR-1719-17-A-GR-L <sup>3</sup> or R <sup>3</sup>	17 x 19	BOWL	11-1/2 x 16	7-1/2
	17 x 17	RECEPTOR	12 DIA	2-1/2
RCR-1522-17-A-GR-L <sup>3</sup> or R <sup>3</sup>	15 x 22	BOWL	11-1/2 x 16	7-1/2
	15 x 17	RECEPTOR	12 DIA	2-1/2

TYPE 316 Most JUST Stylist 18 gauge models are available in type 316 Stainless Steel, which offers greater corrosion resistance in harsh environments.

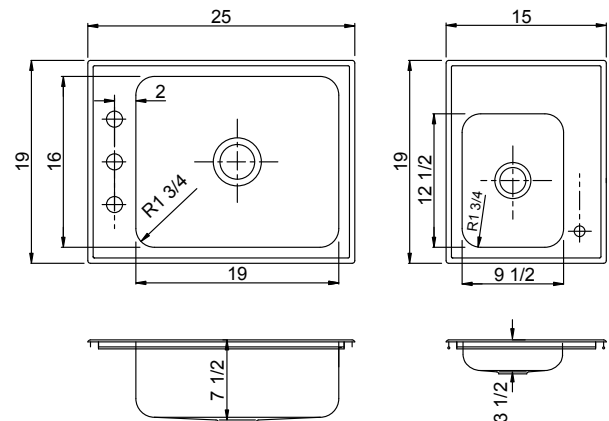
CLASSROOM SINK WITH RECTANGULAR RECEPTOR				
Model No.	O.D.1	BOWL TYPE	I.D.2	Depth
RCR-1719-15-A-GR-L <sup>3</sup> or R <sup>3</sup>	17 x 19	BOWL	11-1/2 x 16	7-1/2
	17 x 15	RECEPTOR	12 x 9	3-1/2
RCR-1925-15-A-GR-L <sup>3</sup> or R <sup>3</sup>	19 x 25	BOWL	16 x 19	7-1/2
	19 x 15	RECEPTOR	12 x 9	3-1/2

- 1 O.D. - Overall Dimensions (Front-to-Back X Left-to-Right)
- 2 I.D. - Inside Dimensions (Front-to-Back X Left-to-Right)
- 3 Suffix "L" or "R" indicates location of fountain unit.

RCR-1719-17-A-GR-R SERIES



RCR-1925-15-A-GR-R SERIES



All dimensions shown in inches.



**SPECIFICATIONS - ACADEMIC GROUP A - 18 GAUGE**

- JUST Academic Group A, seamless die-drawn construction of 18 gauge type 304, 18-8, stainless steel
- Interior surfaces polished to a non-porous Satin blended No. 4 JUST finish, with highlighted bowl rim
- Fully coated underside insulates for sound and reduces condensation
- Straight-sided compartment with 1 3/4" radius corners provides greater capacity
- Self-rimming top mount Grip-Rim Plus with 300 series stainless steel mounting channels
- Conforms to ASME/ANSI A112.19.3M
- Drain punch #35 centered, for Just J-35 and #15 for J-15-FS, unless otherwise specified

**RCF SERIES**

Includes: ALL STAINLESS STEEL JSFVR-5 Stainless Steel Vandal Resistant Faucet, JRMSB-10-VR Remote Push Button Vandal Resistant Stainless Steel Bubbler System, J-35 Drain, J-15-SSF Drain



**100% STAINLESS STEEL PACKAGE**



**RCF-1719-17-A-GR-L-T**

Counter not included. Includes fittings shown



**RCF-1719-15-A-GR-R-T**

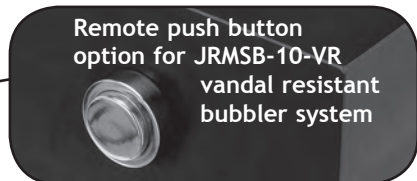
Counter not included. Includes fittings shown

CLASSROOM SINK WITH ROUND RECEPTOR				
Model No.	O.D.1	BOWL TYPE	I.D.2	Depth
RCF-1719-17-A-GR-L <sup>3</sup> or R <sup>3</sup>	17 x 19	BOWL	11-1/2 x 16	7-1/2
	17 x 17	RECEPTOR	12 DIA	2-1/2
RCF-1522-17-A-GR-L <sup>3</sup> or R <sup>3</sup>	15 x 22	BOWL	11-1/2 x 16	7-1/2
	15 x 17	RECEPTOR	12 DIA	2-1/2

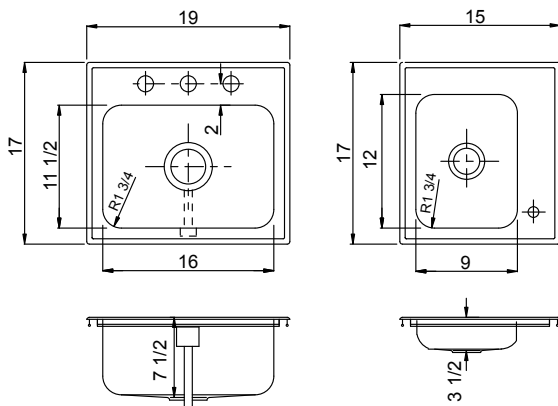
TYPE 316 Most JUST Stylist 18 gauge models are available in type 316 Stainless Steel, which offers greater corrosion resistance in harsh environments.

CLASSROOM SINK WITH RECTANGULAR RECEPTOR				
Model No.	O.D.1	BOWL TYPE	I.D.2	Depth
RCF-1719-15-A-GR-L <sup>3</sup> or R <sup>3</sup>	17 x 19	BOWL	11-1/2 x 16	7-1/2
	17 x 15	RECEPTOR	12 x 9	3-1/2
RCF-1925-15-A-GR-L <sup>3</sup> or R <sup>3</sup>	19 x 25	BOWL	16 x 11	7-1/2
	19 x 15	RECEPTOR	12 x 9	3-1/2

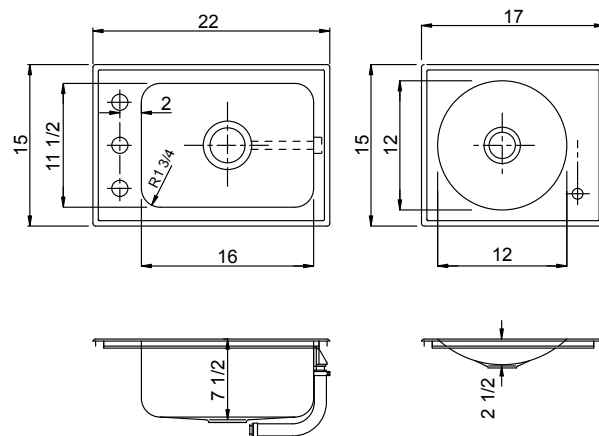
- 1 O.D. - Overall Dimensions (Front-to-Back X Left-to-Right)
- 2 I.D. - Inside Dimensions (Front-to-Back X Left-to-Right)
- 3 Suffix "L" or "R" indicates location of fountain unit.



**RCF-1719-15-A-GR-R SERIES**



**RCF-1522-17-A-GR-R SERIES**



Recycled Stainless, The Value Option



All dimensions shown in inches.

SPECIFICATIONS - STYLIST GROUP A - 18 GAUGE

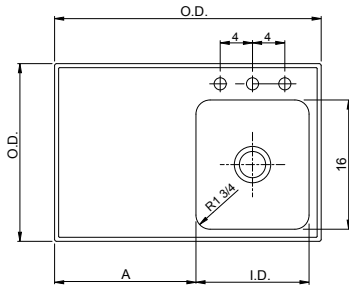
- JUST Stylist Group A, seamless die-drawn construction of 18 gauge type 304, 18-8, stainless steel
- Interior surfaces polished to a non-porous Satin blended No. 4 JUST finish
- Smooth, fully coated underside insulates for sound and reduces condensation
- Straight-sided compartment with 1 3/4" radius corners provides greater capacity
- Drainboards are flat, not sloped to bowl
- Self-rimming top mount Grip-Rim Plus with 300 series stainless steel mounting channels
- Conforms to ASME/ANSI A112.19.3M
- Drain punch #35 for Just J-35 unless otherwise specified
- Standard understructural braces of 16 gauge mild steel

SI-3467-A-GR

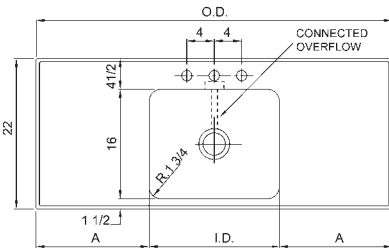
Shown with optional: J-900 Faucet, JB3H-3 Instant Hot water dispenser, JB-99 Drain



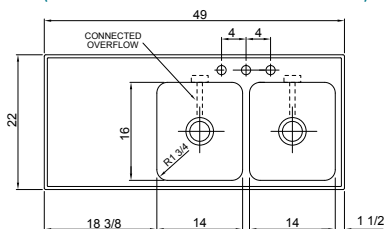
SI-L SERIES  
SINGLE BOWL-SINGLE DRAINBOARD  
(RIGHT-REVERSED OF SHOWN)



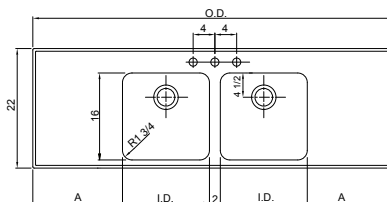
SINGLE BOWL-DOUBLE DRAINBOARD  
WITH INTEGRA-FLOW SYSTEM



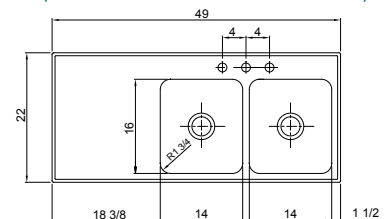
SIF-3049-A-GR-L  
DOUBLE BOWL-SINGLE DRAINBOARD  
WITH INTEGRA-FLOW SYSTEM  
(RIGHT-REVERSED OF SHOWN)



DOUBLE BOWL-DOUBLE DRAINBOARD



SI-3049-A-GR-L  
DOUBLE BOWL-SINGLE DRAINBOARD  
(RIGHT-REVERSED OF SHOWN)



SINGLE BOWL - SINGLE DRAINBOARD - 18 GAUGE				
Model No.	O.D.1	I.D.2	*Depth	A
SI-1433-A-GR-L <sup>3</sup> or R <sup>3</sup>	22 x 33	16 x 14	8	17-1/2
SI-1933-A-GR-L <sup>3</sup> or R <sup>3</sup>	22 x 33	16 x 19	7-1/2	12-1/2
SI-1943-A-GR-L <sup>3</sup> or R <sup>3</sup>	22 x 43	16 x 19	7-1/2	22-1/2
SI-2243-A-GR-L <sup>3</sup> or R <sup>3</sup>	22 x 43	16 x 22	8	19-1/2
WITH INTEGRA-FLOW SYSTEM				
SIF-1433-A-GR-L <sup>3</sup> or R <sup>3</sup>	22 x 33	16 x 14	8	17-1/2
SIF-1933-A-GR-L <sup>3</sup> or R <sup>3</sup>	22 x 33	16 x 19	7-1/2	12-1/2
SIF-1943-A-GR-L <sup>3</sup> or R <sup>3</sup>	22 x 43	16 x 19	7-1/2	22-1/2
SIF-2243-A-GR-L <sup>3</sup> or R <sup>3</sup>	22 x 43	16 x 22	8	19-1/2

SINGLE BOWL - DOUBLE DRAINBOARD				
Model No.	O.D.1	I.D.2	*Depth	A
SI-2243-A-GR	22 x 43	16 x 22	8	10-1/2
SI-1961-A-GR	22 x 61	16 x 19	7-1/2	21
WITH INTEGRA-FLOW SYSTEM				
SIF-2243-A-GR	22 x 43	16 x 22	8	10-1/2
SIF-1961-A-GR	22 x 61	16 x 19	7-1/2	21

DOUBLE BOWL - SINGLE DRAINBOARD				
Model No.	O.D.1	I.D.2	*Depth	A
SI-3049-A-GR-L <sup>3</sup> or R <sup>3</sup>	22 x 49	16 x 14	8	
WITH INTEGRA-FLOW SYSTEM				
SIF-3049-A-GR-L <sup>3</sup> or R <sup>3</sup>	22 x 49	16 x 14	8	

DOUBLE BOWL - DOUBLE DRAINBOARD - 18 GAUGE				
Model No.	O.D.1	I.D.2	*Depth	A
SI-3467-A-GR	22 x 67	16 x 16	7-1/2	16-1/2
SI-4067-A-GR	22 x 67	16 x 19	7-1/2	13-1/2
SI-3073-A-GR	22 x 73	16 x 14	8	21-15/16
WITH INTEGRA-FLOW SYSTEM				
SIF-3467-A-GR	22 x 67	16 x 16	7-1/2	16-1/2
SIF-4067-A-GR	22 x 67	16 x 19	7-1/2	13-1/2
SIF-3073-A-GR	22 x 73	16 x 14	8	21-15/16

1 O.D. - Overall Dimensions (Front-to-Back X Left-to-Right)

2 I.D. - Inside Dimensions (Front-to-Back X Left-to-Right)

3 Suffix "L" or "R" indicates location of drainboard.



**SPECIFICATIONS - ADA COMPLIANT - STYLIST GROUP A - 18 GAUGE**

- JUST Stylist Group A, seamless die-drawn construction of 18 gauge type 304, 18-8, stainless steel
- Interior surfaces polished to a non-porous Satin blended No. 4 JUST finish
- Smooth, fully coated underside insulates for sound and reduces condensation
- Straight-sided compartment with 1 3/4" radius corners provides greater capacity
- Drainboards are flat, not sloped to bowl
• Self-rimming top mount Grip-Rim Plus with 300 series stainless steel mounting channels
- Conforms to ASME/ANSI A112.19.3M
- Drain punch #35 for Just J-35 unless otherwise specified
- Standard understructural braces of 16 gauge mild steel

**SI-ADA-3467-A-GR-T**

Includes: J-900 Faucet, JB1H-1 Instant Hot water dispenser, JB-99 Drains

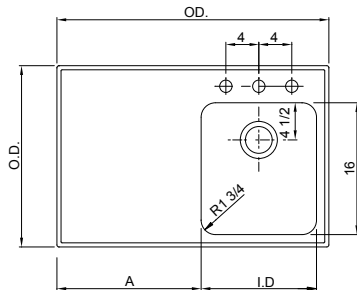


**SI-ADA-1933-A-GR-L-T**

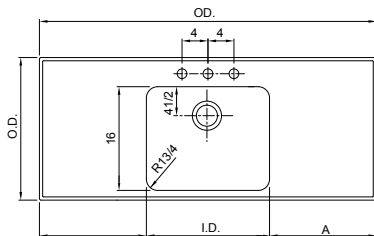
Includes: JTR-51 Faucet, J-35 Drains



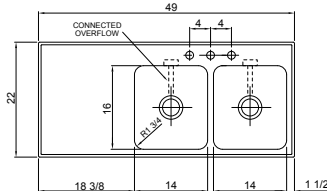
**SI-ADA-L SERIES  
SINGLE BOWL-SINGLE DRAINBOARD  
(RIGHT-REVERSED OF SHOWN)**



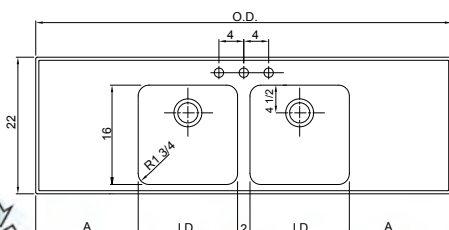
**SINGLE BOWL-DOUBLE DRAINBOARD**



**SIF-ADA-3049-A-GR-L  
DOUBLE BOWL-SINGLE DRAINBOARD  
WITH INTEGRA-FLOW SYSTEM  
(RIGHT-REVERSED OF SHOWN)**



**DOUBLE BOWL-DOUBLE DRAINBOARD**



**ADA COMPLIANT - SINGLE BOWL - SINGLE DRAINBOARD - 18 GAUGE**

Model No.	O.D.1	I.D.2	*Depth	A
SI-ADA-1433-A-GR-L <sup>3</sup> or R <sup>3</sup>	22 x 33	16 x 14	4-1/2 to 6-1/2	17-1/2
SI-ADA-1933-A-GR-L <sup>3</sup> or R <sup>3</sup>	22 x 33	16 x 19	4-1/2 to 6-1/2	12-1/2
SI-ADA-1943-A-GR-L <sup>3</sup> or R <sup>3</sup>	22 x 43	16 x 19	4-1/2 to 6-1/2	22-1/2
SI-ADA-2243-A-GR-L <sup>3</sup> or R <sup>3</sup>	22 x 43	16 x 22	4-1/2 to 6-1/2	19-1/2

**WITH INTEGRA-FLOW SYSTEM**

SIF-ADA-1433-A-GR-L <sup>3</sup> or R <sup>3</sup>	22 x 33	16 x 14	4-1/2 to 6-1/2	17-1/2
SIF-ADA-1933-A-GR-L <sup>3</sup> or R <sup>3</sup>	22 x 33	16 x 19	4-1/2 to 6-1/2	12-1/2
SIF-ADA-1943-A-GR-L <sup>3</sup> or R <sup>3</sup>	22 x 43	16 x 19	4-1/2 to 6-1/2	22-1/2
SIF-ADA-2243-A-GR-L <sup>3</sup> or R <sup>3</sup>	22 x 43	16 x 22	4-1/2 to 6-1/2	19-1/2

**ADA COMPLIANT - SINGLE BOWL - DOUBLE DRAINBOARD - 18 GAUGE**

Model No.	O.D.1	I.D.2	*Depth	A
SI-ADA-2243-A-GR	22 x 43	16 x 22	4-1/2 to 6-1/2	10-1/2
SI-ADA-1961-A-GR	22 x 61	16 x 19	4-1/2 to 6-1/2	21

**WITH INTEGRA-FLOW SYSTEM**

SIF-ADA-2243-A-GR	22 x 43	16 x 22	4-1/2 to 6-1/2	10-1/2
SIF-ADA-1961-A-GR	22 x 61	16 x 19	4-1/2 to 6-1/2	21

**ADA COMPLIANT - DOUBLE BOWL - SINGLE DRAINBOARD**

Model No.	O.D.1	I.D.2	*Depth
SI-ADA-3049-A-GR-L <sup>3</sup> or R <sup>3</sup>	22 x 49	16 x 14	4-1/2 to 6-1/2

**WITH INTEGRA-FLOW SYSTEM**

SIF-ADA-3049-A-GR-L <sup>3</sup> or R <sup>3</sup>	22 x 49	16 x 14	4-1/2 to 6-1/2
--	---------	---------	----------------

**ADA COMPLIANT - DOUBLE BOWL - DOUBLE DRAINBOARD - 18 GAUGE**

Model No.	O.D.1	I.D.2	*Depth	A
SI-ADA-3467-A-GR	22 x 67	16 x 16	4-1/2 to 6-1/2	16-1/2
SI-ADA-4067-A-GR	22 x 67	16 x 19	4-1/2 to 6-1/2	13-1/2
SI-ADA-3073-A-GR	22 x 73	16 x 14	4-1/2 to 6-1/2	21-15/16

**WITH INTEGRA-FLOW SYSTEM**

SIF-ADA-3467-A-GR	22 x 67	16 x 16	4-1/2 to 6-1/2	16-1/2
SIF-ADA-4067-A-GR	22 x 67	16 x 19	4-1/2 to 6-1/2	13-1/2
SIF-ADA-3073-A-GR	22 x 73	16 x 14	4-1/2 to 6-1/2	21-15/16

1 O.D. - Overall Dimensions (Front-to-Back X Left-to-Right)

2 I.D. - Inside Dimensions (Front-to-Back X Left-to-Right)

3 Suffix "L" or "R" indicates location of drainboard.



Recycled Stainless, The Value Option



All dimensions shown in inches.

## MODEL NUMBER PAGE

BLSM-13519-A-GR	19
BLSM-13519-B-GR	19
BLSM-ADA-13519-A-GR	20
BLSMF-13519-A-GR	19
BLSMF-ADA-13519-A-GR	20
CCRA-1725-B-GR	25
CCS-1416-B-GR	25
CDL-2133-B-GR	25
CDL-2233-B-GR	25
CIF-ADA-10	26
CIF-ADA-12	26
CIF-ADA-14	26
CIF-ADA-16	26
CIF-10	26
CIF-12	26
CIF-14	26
CIF-16	26
CIR-ADA-10	26
CIR-ADA-12	26
CIR-ADA-14	26
CIR-ADA-16	26
CIR-10	26
CIR-12	26
CIR-14	26
CIR-16	26
CLF-ADA-10	26
CLF-ADA-14	26
CLF-10	26
CLF-14	26
CLR-ADA-10	26
CLR-ADA-14	26
CLR-10	26
CLR-14	26
CRA-14525-A-GR	33
CRA-1521-A-GR	33
CRA-1723-A-GR	33
CRA-1725-A-GR	35
CRA-1725-A-GR-VR	36
CRA-1725-B-GR	35
CRA-1923-A-GR	35
CRA-1923-A-GR-VR	36
CRA-1923-B-GR	35
CRA-1925-A-GR	33
CRA-1928-A-GR	35
CRA-1928-B-GR	35
CRA-1931-A-GR	35
CRA-1931-A-GR-VR	36
CRA-1931-B-GR	35
CRA-2225-A-GR	35
CRA-2225-B-GR	35
CRA-ADA-14525-A-GR	33
CRA-ADA-1521-A-GR	33
CRA-ADA-1723-A-GR	33
CRA-ADA-1725-A-GR	31
CRA-ADA-1725-B-GR	31
CRA-ADA-1923-A-GR	31
CRA-ADA-1925-A-GR	33
CRA-ADA-1928-A-GR	33
CRA-ADA-1931-A-GR	31
CRA-ADA-2225-A-GR	31
CRAF-14525-A-GR	33
CRAF-1521-A-GR	33
CRAF-1723-A-GR	33
CRAF-1725-A-GR	35
CRAF-1725-A-GR-VR	36
CRAF-1923-A-GR	35
CRAF-1923-A-GR-VR	36
CRAF-1925-A-GR	33
CRAF-1928-A-GR	35
CRAF-1931-A-GR	35
CRAF-1931-A-GR-VR	36
CRAF-2225-A-GR	35
CRAF-ADA-14525-A-GR	33

## MODEL NUMBER PAGE

CRAF-ADA-1521-A-GR	33
CRAF-ADA-1723-A-GR	33
CRAF-ADA-1725-A-GR	31
CRAF-ADA-1923-A-GR	31
CRAF-ADA-1925-A-GR	33
CRAF-ADA-1928-A-GR	33
CRAF-ADA-1931-A-GR	31
CRAF-ADA-2225-A-GR	31
CRB-2022-A-GR	35
CRB-2022-A-GR-VR	36
CRB-2022-B-GR	35
CRB-2220-A-GR	35
CRB-2220-B-GR	35
CRB-2225-A-GR	35
CRB-2225-A-GR-VR	36
CRB-2225-B-GR	35
CRB-2228-A-GR	35
CRB-2228-B-GR	35
CRB-ADA-2022-A-GR	31
CRB-ADA-2220-A-GR	31
CRB-ADA-2225-A-GR	31
CRBF-2022-A-GR	35
CRBF-2022-A-GR-VR	36
CRBF-2220-A-GR	35
CRBF-2225-A-GR	35
CRBF-2225-A-GR-VR	36
CRBF-2228-A-GR	35
CRBF-ADA-2022-A-GR	31
CRBF-ADA-2220-A-GR	31
CRBF-ADA-2225-A-GR	31
CRC-2022-A-GR	35
CRC-2022-B-GR	35
CRC-2220-A-GR	35
CRC-2220-B-GR	35
CRC-2225-A-GR	35
CRC-2225-B-GR	35
CRC-2228-A-GR	35
CRC-2228-B-GR	35
CRC-ADA-2022-A-GR	32
CRC-ADA-2220-A-GR	32
CRC-ADA-2225-A-GR	32
CRCF-2022-A-GR	35
CRCF-2220-A-GR	35
CRCF-2225-A-GR	35
CRCF-2228-A-GR	35
CRCF-ADA-2022-A-GR	32
CRCF-ADA-2220-A-GR	32
CRCF-ADA-2225-A-GR	32
CRD-ADA-2228-A-GR-T	32
CRDF-ADA-2228-A-GR-T	32
CRS-1722-A-GR-L or R	35
CRS-1722-B-GR-L or R	35
CRS-1925-A-GR-L or R	35
CRS-1925-B-GR-L or R	35
CRS-1928-A-GR-L or R	35
CRS-1928-B-GR-L or R	35
CRS-2222-A-GR-L or R	35
CRS-2222-B-GR-L or R	35
CRS-ADA-1722-A-GR-L or R	32
CRS-ADA-1925-A-GR-L or R	32
CRS-ADA-1928-A-GR-L or R	32
CRS-ADA-2222-A-GR-L or R	32
CRSF-1722-A-GR-L or R	35
CRSF-1925-A-GR-L or R	35
CRSF-1928-A-GR-L or R	35
CRSF-2222-A-GR-L or R	35
CRSF-ADA-1722-A-GR-L or R	32
CRSF-ADA-1925-A-GR-L or R	32
CRSF-ADA-1928-A-GR-L or R	32
CRSF-ADA-2222-A-GR-L or R	32
CS-1416-A-GR	23
CS-1416-B-GR	23
CSL-2125-B-GR	25
CSL-2217-B-GR	25

## MODEL NUMBER PAGE

CSL-2225-B-GR	25
CSLTC-1416-A-GR-L or R	23
CSLX-2225-B-GR	25
CTEQ-2243-B-GR	25
D-1325-A-GR	11
D-1325-B-GR	11
D-1529-A-GR	11
D-1529-B-GR	11
D-1933-A-GR	11
D-1933-B-GR	11
D-1937-A-GR	11
D-1937-B-GR	11
D-1943-A-GR	11
D-1943-B-GR	11
D-1949-A-GR	11
D-1949-B-GR	11
D-ADA-1325-A-GR	10
D-ADA-1529-A-GR	10
D-ADA-1933-A-GR	10
D-ADA-1937-A-GR	10
D-ADA-1943-A-GR	10
D-ADA-1949-A-GR	10
DBF-12	19
DBF-18	19
DBL-1529-A-GR	19
DBL-1529-B-GR	19
DBL-1823-A-GR	19
DBL-1823-B-GR	19
DBL-ADA-1529-A-GR	20
DBL-ADA-1823-A-GR	20
DBLF-1529-A-GR	19
DBLF-1823-A-GR	19
DBLF-ADA-1529-A-GR	20
DBLF-ADA-1823-A-GR	20
DBW-2133-A-GR-L or R	24
DBW-2133-B-GR-L or R	24
DCR-1542-A-GR-L or R	32
DCR-1737-A-GR-L or R	32
DCR-1542-A-GR-L or R-RBT	32
DCR-1737-A-GR-L or R-RBT	32
DCR-1737-A-GR-L or R-VR	36
DCR-1739-A-GR-L or R	37
DCR-1739-A-GR-L or R-RBT	37
DCR-1943-A-GR-L or R	37
DCR-1943-A-GR-L or R-RBT	37
DCR-ADA-1542-A-GR-L or R	38
DCR-ADA-1737-A-GR-L or R	38
DCR-ADA-1542-A-GR-L or R-RBT	38
DCR-ADA-1737-A-GR-L or R-RBT	38
DCR-ADA-1739-A-GR-L or R	38
DCR-ADA-1739-A-GR-L or R-RBT	38
DCR-ADA-1943-A-GR-L or R	38
DCR-ADA-1943-A-GR-L or R-RBT	38
DCRF-1542-A-GR-L or R	37
DCRF-1737-A-GR-L or R	37
DCRF-1737-A-GR-L or R-VR	36
DCRF-1739-A-GR-L or R	37
DCRF-1943-A-GR-L or R	37
DCRF-ADA-1542-A-GR-L or R	38
DCRF-ADA-1737-A-GR-L or R	38
DCRF-ADA-1739-A-GR-L or R	38
DCRF-ADA-1943-A-GR-L or R	38
DF-1325-A-GR	11
DF-1529-A-GR	11
DF-1933-A-GR	11
DF-1937-A-GR	11
DF-1943-A-GR	11
DF-1949-A-GR	11
DF-ADA-1325-A-GR	10
DF-ADA-1529-A-GR	10
DF-ADA-1933-A-GR	10
DF-ADA-1937-A-GR	10
DF-ADA-1943-A-GR	10
DF-ADA-1949-A-GR	10

## MODEL NUMBER PAGE

DFB-12	19
DFB-20	19
DL-1625-A-GR	9
DL-1625-B-GR	13
DL-17537-A-GR	9
DL-17537-B-GR	13
DL-1829-A-GR	9
DL-1829-B-GR	13
DL-1925-A-GR	9
DL-1925-B-GR	13
DL-1933-A-GR	9
DL-1933-B-GR	13
DL-2025-A-GR	9
DL-2025-B-GR	13
DL-2037-A-GR	9
DL-2037-B-GR	13
DL-2128-A-GR	9
DL-2128-B-GR	13
DL-2133-A-GR	9
DL-2133-B-GR	13
DL-2137-A-GR	9
DL-2137-B-GR	13
DL-2143-A-GR	9
DL-2143-B-GR	13
DL-2228-A-GR	9
DL-2228-B-GR	13
DL-2233-A-GR	9
DL-2233-B-GR	13
DL-2237-A-GR	9
DL-2237-B-GR	13
DL-2243-A-GR	9
DL-2243-B-GR	13
DL-2249-A-GR	9
DL-2261-A-GR	9
DL-ADA-1625-A-GR	10
DL-ADA-17537-A-GR	10
DL-ADA-1829-A-GR	10
DL-ADA-1925-A-GR	10
DL-ADA-1933-A-GR	10
DL-ADA-2025-A-GR	10
DL-ADA-2037-A-GR	10
DL-ADA-2128-A-GR	10
DL-ADA-2133-A-GR	10
DL-ADA-2137-A-GR	10
DL-ADA-2143-A-GR	10
DL-ADA-2228-A-GR	10
DL-ADA-2233-A-GR	10
DL-ADA-2237-A-GR	10
DL-ADA-2243-A-GR	10
DL-ADA-2249-A-GR	10
DL-ADA-2261-A-GR	10
DLF-1625-A-GR	9
DLF-17537-A-GR	9
DLF-1829-A-GR	9
DLF-1925-A-GR	9
DLF-1933-A-GR	9
DLF-2025-A-GR	9
DLF-2037-A-GR	9
DLF-2128-A-GR	9
DLF-2133-A-GR	9
DLF-2137-A-GR	9
DLF-2143-A-GR	9
DLF-2228-A-GR	9
DLF-2233-A-GR	9
DLF-2237-A-GR	9
DLF-2243-A-GR	9
DLF-2249-A-GR	9
DLF-2261-A-GR	9
DLF-ADA-1625-A-GR	10
DLF-ADA-17537-A-GR	10
DLF-ADA-1829-A-GR	10
DLF-ADA-1925-A-GR	10
DLF-ADA-1933-A-GR	10



MODEL NUMBER PAGE

DLF-ADA-2025-A-GR	10
DLF-ADA-2037-A-GR	10
DLF-ADA-2128-A-GR	10
DLF-ADA-2133-A-GR	10
DLF-ADA-2137-A-GR	10
DLF-ADA-2143-A-GR	10
DLF-ADA-2228-A-GR	10
DLF-ADA-2233-A-GR	10
DLF-ADA-2237-A-GR	10
DLF-ADA-2243-A-GR	10
DLF-ADA-2249-A-GR	10
DLF-ADA-2261-A-GR	10
DLX-1829-A-GR	12
DLX-1925-A-GR	12
DLX-1933-A-GR	12
DLX-2025-A-GR	12
DLX-2133-A-GR	12
DLX-2233-A-GR	12
DLX-2237-A-GR	12
DLX-2243-A-GR	12
DLX-2249-A-GR	12
DLX-2261-A-GR	12
DLXD-2133-A-GR	12
DLXD-2233-A-GR	12
DLXD-2237-A-GR	12
DLXD-2243-A-GR	12
DLXD-2249-A-GR	12
DLXD-2261-A-GR	12
DUFB-12	15
DUFB-20	15
DX-1529-A-GR	12
DX-1933-A-GR	12
DX-1937-A-GR	12
DX-1943-A-GR	12
DX-1949-A-GR	12
DXD-1933-A-GR	12
DXD-1937-A-GR	12
DXD-1943-A-GR	12
DXD-1949-A-GR	12
J35-SSF-VR	34
J-ADA-35	34
JBB-5	34
JGN-1-A	34
JSB-10-FLX-VR	34
JSF-VR-5	34
JTR-51-70-VR	34
JVR-1	34
JWF-200-R70-VR	34
LLO-1513-A-GR	27
LLO-1917-A-GR	27
LLQ-17519-A-GR	27
LLQ-17519-B-GR	27
LLQO-17519-A-GR	27
LLQO-17519-B-GR	27
LOLF-17519-A-GR-S	29
LOLF-17519-B-GR-S	29
LOLF-ADA-17519-A-GR-S	29
LOLR-17519-A-GR-S	29
LOLR-17519-B-GR-S	29
LOLR-ADA-17519-A-GR-S	29
LSM-13519-A-GR	4
LSMF-13519-A-GR	4
LSM-13519-B-GR	8
LTC-1933-A-GR-L or R	23
LTC-2233-A-GR-L or R	23
LTC-2233-B-GR-L or R	23
LTC-2243-A-GR-L or R	23
ODBL-1529-A-GR-L or R	21
ODBL-1529-B-GR-L or R	21
ODBL-1529-A-GR	19
ODBL-1529-B-GR	19
ODBL-ADA-1529-A-GR	20
ODBLF-1529-A-GR-L or R	19
ODBLF-1529-A-GR	19

MODEL NUMBER PAGE

ODBLF-ADA-1529-A-GR	20
ODL-1933-A-GR-L or R	21
ODL-1933-B-GR-L or R	21
ODL-2233-A-GR-L or R	21
ODL-2233-B-GR-L or R	21
ODL-2235-A-GR-L or R	21
ODL-2235-B-GR-L or R	21
ODL-2237-A-GR-L or R	21
ODL-2237-B-GR-L or R	21
ODL-2237-A-GR-L or R	21
ODL-2237-B-GR-L or R	21
ODLM-2225-A-GR-L or R	21
ODLM-2225-B-GR-L or R	21
ODLM-2233-A-GR-L or R	21
ODLM-2233-B-GR-L or R	21
ODLP-2233-A-GR-L or R	21
ODLP-2233-B-GR-L or R	21
ODLPX-2233-A-GR-L or R	21
ODLQX-2237-A-GR-L or R	21
ODLX-2233-A-GR-L or R	21
ODLX-2237-A-GR-L or R	21
OLF-1619	28
OLF-ADA-1619	28
OLR-1619	28
OLR-ADA-1619	28
OLF-17521	28
OLF-ADA-17521	28
OLR-17521	28
OLR-ADA-17521	28
RCF-1522-17-A-GR-L or R	42
RCF-1719-15-A-GR-L or R	42
RCF-1719-17-A-GR-L or R	42
RCF-1925-15-A-GR-L or R	42
RCF-ADA-1522-17-A-GR-L or R	40
RCF-ADA-1719-15-A-GR-L or R	40
RCF-ADA-1719-17-A-GR-L or R	40
RCF-ADA-1925-15-A-GR-L or R	40
RCR-1522-17-A-GR-L or R	41
RCR-1719-15-A-GR-L or R	41
RCR-1719-17-A-GR-L or R	41
RCR-1925-15-A-GR-L or R	41
RCR-ADA-1522-17-A-GR-L or R	39
RCR-ADA-1719-15-A-GR-L or R	39
RCR-ADA-1719-17-A-GR-L or R	39
RCR-ADA-1925-15-A-GR-L or R	39
S-1313-A-GR	6
S-1313-B-GR	6
S-14519-A-GR	6
S-14519-B-GR	6
S-1515-A-GR	6
S-1515-B-GR	6
S-1717-A-GR	6
S-1717-B-GR	6
S-1719-A-GR	6
S-1719-B-GR	6
S-1721-A-GR	6
S-1721-B-GR	6
S-1917-A-GR	6
S-1917-B-GR	6
S-1919-A-GR	6
S-1919-B-GR	6
S-1922-A-GR	6
S-1922-B-GR	6
S-1925-A-GR	6
S-1925-B-GR	6
S-1931-A-GR	6
S-1931-B-GR	6
S-2128-A-GR	6
S-2128-B-GR	6
S-2133-A-GR	6
S-2133-B-GR	6
S-ADA-1313-A-GR	5
S-ADA-14519-A-GR	5
S-ADA-1515-A-GR	5
S-ADA-1717-A-GR	5
S-ADA-1719-A-GR	5

MODEL NUMBER PAGE

S-ADA-1721-A-GR	5
S-ADA-1917-A-GR	5
S-ADA-1919-A-GR	5
S-ADA-1922-A-GR	5
S-ADA-1925-A-GR	5
SB-1215-A-GR	19
SB-1215-B-GR	19
SB-1515-A-GR	19
SB-1515-B-GR	19
SB-ADA-1215-A-GR	20
SB-ADA-1515-A-GR	20
SBF-1215-A-GR	19
SBF-1515-A-GR	19
SBF-ADA-1215-A-GR	20
SBF-ADA-1515-A-GR	20
SBL-1515-A-GR	19
SBL-1515-B-GR	19
SBL-1613-A-GR	19
SBL-1613-B-GR	19
SBL-1812-A-GR	19
SBL-1812-B-GR	19
SBL-1815-A-GR	19
SBL-1815-B-GR	19
SBL-ADA-1515-A-GR	20
SBL-ADA-1613-A-GR	20
SBL-ADA-1812-A-GR	20
SBL-ADA-1815-A-GR	20
SBLF-1515-A-GR	19
SBLF-1613-A-GR	19
SBLF-1812-A-GR	19
SBLF-1815-A-GR	19
SBLF-ADA-1515-A-GR	20
SBLF-ADA-1613-A-GR	20
SBLF-ADA-1812-A-GR	20
SBLF-ADA-1815-A-GR	20
SBLX-1815-A-GR	19
SBLXF-1815-A-GR	19
SBW-1919-A-GR-L or R	24
SBW-1919-B-GR-L or R	24
SBW-2125-A-GR-L or R	24
SBW-2125-B-GR-L or R	24
SBX-1515-A-GR	19
SBXF-1515-A-GR	19
SF-1313-A-GR	6
SF-14519-A-GR	6
SF-1515-A-GR	6
SF-1717-A-GR	6
SF-1719-A-GR	6
SF-1721-A-GR	6
SF-1917-A-GR	6
SF-1919-A-GR	6
SF-1922-A-GR	6
SF-1925-A-GR	6
SF-1931-A-GR	6
SF-2128-A-GR	6
SF-2133-A-GR	6
SF-ADA-1313-A-GR	5
SF-ADA-14519-A-GR	5
SF-ADA-1515-A-GR	5
SF-ADA-1717-A-GR	5
SF-ADA-1719-A-GR	5
SF-ADA-1721-A-GR	5
SF-ADA-1917-A-GR	5
SF-ADA-1919-A-GR	5
SF-ADA-1922-A-GR	5
SF-ADA-1925-A-GR	5
SI-1433-A-GR-L or R	43
SI-1933-A-GR-L or R	43
SI-1943-A-GR-L or R	43
SI-1961-A-GR	43
SI-2243-A-GR	43
SI-2243-A-GR-L or R	43
SI-3049-A-GR-L or R	43

MODEL NUMBER PAGE

SI-3073-A-GR	43
SI-3467-A-GR	43
SI-4067-A-GR	43
SI-ADA-1433-A-GR-L or R	44
SI-ADA-1933-A-GR-L or R	44
SI-ADA-1943-A-GR-L or R	44
SI-ADA-1961-A-GR	44
SI-ADA-2243-A-GR	44
SI-ADA-2243-A-GR-L or R	44
SI-ADA-3049-A-GR-L or R	44
SI-ADA-3073-A-GR	44
SI-ADA-3467-A-GR	44
SI-ADA-4067-A-GR	44
SIF-1433-A-GR-L or R	43
SIF-1933-A-GR-L or R	43
SIF-1943-A-GR-L or R	43
SIF-1961-A-GR	43
SIF-2243-A-GR	43
SIF-2243-A-GR-L or R	43
SIF-3049-A-GR-L or R	43
SIF-3073-A-GR	43
SIF-3467-A-GR	43
SIF-4067-A-GR	43
SIF-ADA-1433-A-GR-L or R	44
SIF-ADA-1933-A-GR-L or R	44
SIF-ADA-1943-A-GR-L or R	44
SIF-ADA-1961-A-GR	44
SIF-ADA-2243-A-GR	44
SIF-ADA-2243-A-GR-L or R	44
SIF-ADA-3049-A-GR-L or R	44
SIF-ADA-3073-A-GR	44
SIF-ADA-3467-A-GR	44
SIF-ADA-4067-A-GR	44
SL-1515-A-GR	4
SL-1515-B-GR	8
SL-1613-A-GR	4
SL-1613-B-GR	8
SL-1617-A-GR	4
SL-1617-B-GR	8
SL-17519-A-GR	4
SL-17519-B-GR	8
SL-1815-A-GR	4
SL-1815-B-GR	8
SL-1921-A-GR	4
SL-1921-B-GR	8
SL-2017-A-GR	4
SL-2017-B-GR	8
SL-2019-A-GR	4
SL-2019-BGR	8
SL-2117-A-GR	4
SL-2117-B-GR	8
SL-2119-A-GR	4
SL-2119-B-GR	8
SL-2122-A-GR	4
SL-2122-B-GR	8
SL-2125-A-GR	4
SL-2125-B-GR	8
SL-2131-A-GR	4
SL-2131-B-GR	8
SL-2133-A-GR	4
SL-2133-B-GR	8
SL-22145-A-GR	4
SL-22145-B-GR	8
SL-2217-A-GR	4
SL-2217-B-GR	8
SL-2219-A-GR	4
SL-2219-B-GR	8
SL-2222-A-GR	4
SL-2222-B-GR	8
SL-2225-A-GR	4
SL-2225-B-GR	8
SL-2231-A-GR	4

MODEL NUMBER PAGE

SL-2231-B-GR	8
SL-2233-A-GR	4
SL-2233-B-GR	8
SL-ADA-1613-A-GR	5
SL-ADA-1617-A-GR	5
SL-ADA-17519-A-GR	5
SL-ADA-1815-A-GR	5
SL-ADA-1921-A-GR	5
SL-ADA-2017-A-GR	5
SL-ADA-2019-A-GR	5
SL-ADA-2117-A-GR	5
SL-ADA-2119-A-GR	5
SL-ADA-2122-A-GR	5
SL-ADA-2125-A-GR	5
SL-ADA-2131-A-GR	5
SL-ADA-2133-A-GR	5
SL-ADA-22145-A-GR	5
SL-ADA-2217-A-GR	5
SL-ADA-2219-A-GR	5
SL-ADA-2222-A-GR	5
SL-ADA-2225-A-GR	5
SL-ADA-2231-A-GR	5
SL-ADA-2233-A-GR	5
SLF-1515-A-GR	4
SLF-1613-A-GR	4
SLF-1617-A-GR	4
SLF-17519-A-GR	4
SLF-1815-A-GR	4
SLF-1921-A-GR	4
SLF-2017-A-GR	4
SLF-2019-A-GR	4
SLF-2117-A-GR	4
SLF-2119-A-GR	4
SLF-2122-A-GR	4
SLF-2125-A-GR	4
SLF-2131-A-GR	4
SLF-2133-A-GR	4
SLF-22145-A-GR	4
SLF-2217-A-GR	4
SLF-2219-A-GR	4
SLF-2222-A-GR	4
SLF-2225-A-GR	4
SLF-2231-A-GR	4
SLF-2233-A-GR	4
SLF-ADA-1617-A-GR	5
SLF-ADA-17519-A-GR	5
SLF-ADA-1815-A-GR	5
SLF-ADA-1921-A-GR	5
SLF-ADA-2017-A-GR	5
SLF-ADA-2019-A-GR	5
SLF-ADA-2117-A-GR	5
SLF-ADA-2119-A-GR	5
SLF-ADA-2122-A-GR	5
SLF-ADA-2125-A-GR	5
SLF-ADA-2131-A-GR	5
SLF-ADA-2133-A-GR	5
SLF-ADA-22145-A-GR	5
SLF-ADA-2217-A-GR	5
SLF-ADA-2219-A-GR	5
SLF-ADA-2222-A-GR	5
SLF-ADA-2225-A-GR	5
SLF-ADA-2231-A-GR	5
SLF-ADA-2233-A-GR	5
SLX-1617-A-GR	7
SLX-17519-A-GR	7
SLX-1815-A-GR	7
SLX-1921-A-GR	7
SLX-2017-A-GR	7
SLX-2019-A-GR	7
SLX-2125-A-GR	7
SLX-2133-A-GR	7
SLX-2217-A-GR	7
SLX-2219-A-GR	7

MODEL NUMBER PAGE

SLX-2222-A-GR	7
SLX-2225-A-GR	7
SLX-2231-A-GR	7
SLX-2233-A-GR	7
SLXD-1921-A-GR	7
SLXD-2019-A-GR	7
SLXD-2125-A-GR	7
SLXD-2133-A-GR	7
SLXD-2217-A-GR	7
SLXD-2219-A-GR	7
SLXD-2222-A-GR	7
SLXD-2225-A-GR	7
SLXD-2231-A-GR	7
SLXD-2233-A-GR	7
SX-1515-A-GR	7
SX-1717-A-GR	7
SX-1719-A-GR	7
SX-1721-A-GR	7
SX-1917-A-GR	7
SX-1919-A-GR	7
SX-1922-A-GR	7
SX-1925-A-GR	7
SX-1931-A-GR	7
SX-2133-A-GR	7
SXD-1719-A-GR	7
SXD-1917-A-GR	7
SXD-1919-A-GR	7
SXD-1922-A-GR	7
SXD-1925-A-GR	7
SXD-1931-A-GR	7
SXD-2133-A-GR	7
T-1543-A-GR	14
T-1949-A-GR	14
T-1955-A-GR	14
T-ADA-1543-A-GR	14
T-ADA-1949-A-GR	14
TE-1944-A-GR	22
TE-1944-B-GR	22
TE-2044-A-GR	22
TE-2144-A-GR	22
TE-2144-B-GR	22
TE-2248-A-GR	22
TE-2248-B-GR	22
TEQ-2243-A-GR-L or R	22
TEQC-2243-A-GR	22
TEQ-2243-B-GR-L or R	22
TEQM-2243-A-GR	22
TET-2248-A-GR-L or R	22
TL-1843-A-GR	14
TL-2249-A-GR	14
TL-2255-A-GR	14
TL-2264-A-GR	14
TL-2273-A-GR	14
TL-ADA-1843-A-GR	14
TL-ADA-2249-A-GR	14
TL-ADA-2255-A-GR	14
TLX-1843-A-GR	14
TLX-2249-A-GR	14
TLX-2255-A-GR	14
TLX-2264-A-GR	14
TLX-2273-A-GR	14
TLXD-2255-A-GR	14
TLXD-2264-A-GR	14
TLXD-2273-A-GR	14
TX-1543-A-GR	14
TX-1949-A-GR	14
TX-1955-A-GR	14
TXD-1955-A-GR	14
UCIF-10	16

MODEL NUMBER PAGE

UCIF-12	16
UCIF-14	16
UCIF-16	16
UCIF-ADA-10	18
UCIF-ADA-12	18
UCIF-ADA-14	18
UCIF-ADA-16	18
UCIR-10	16
UCIR-12	16
UCIR-14	16
UCIR-16	16
UCIR-ADA-10	18
UCIR-ADA-12	18
UCIR-ADA-14	18
UCIR-ADA-16	18
UCS-1416-A-GR	23
UD-1632-A	16
UD-1832-A	16
UD-1836-A	16
UD-1836-A-DCR-8	16
UD-1842-A	16
UD-1848-A	16
UD-ADA-1632-A	18
UD-ADA-1832-A	18
UD-ADA-1836-A	18
UD-ADA-1842-A	18
UD-ADA-1848-A	18
UDF-ADA-1632-A	18
UDF-ADA-1832-A	18
UDF-ADA-1836-A	18
UDF-ADA-1842-A	18
UDF-ADA-1848-A	18
UDX-1632-A	16
UDX-1832-A	16
UDX-1842-A	16
UDX-1848-A	16
UDXD-1832-A	16
UDXD-1842-A	16
ULLQ-13518-A	27
ULLQO-13518-A	27
ULTC-1832-A-L/R	16
UODL-1832-A-GR-L or R	17
UODL-2032-A-GR-L or R	17
UODL-2134-A-GR-L or R	17
UODL-2136-A-GR-L or R	17
UODLM-1832-A-GRL or R	17
UODLP-21315-A-GR-L or R	17
UODLQX-2034-A-L or R	17
UODLX-2032-A-L or R	17
UODLX-2136-A-L or R	17
UOF-1619	16
UOIF-1521-A	30
UOIF-1521-B	30
UOIF-ADA-1521-A	30
UOIR-1521-A	30
UOIR-1521-B	30
UOIR-ADA-1521-A	30
UOR-1619	16
US-1114-A	15
US-1212-A	15
US-13518-A	15
US-1414-A	15
US-1616-A	15
US-1618-A	15
US-1620-A	15
US-1818-A	15
US-1821-A	15
US-1824-A	15
US-1830-A	15
US-9518-A	15
US-ADA-13518-A	18
US-ADA-1414-A	18
US-ADA-1616-A	18

MODEL NUMBER PAGE

US-ADA-1618-A	18
US-ADA-1620-A	18
US-ADA-1818-A	18
US-ADA-1821-A	18
US-ADA-1824-A	18
US-ADA-1830-A	18
USF-1114-A	15
USF-1212-A	15
USF-13518-A	15
USF-1414-A	15
USF-1616-A	15
USF-1618-A	15
USF-1620-A	15
USF-1818-A	15
USF-1821-A	15
USF-1824-A	15
USF-1830-A	15
USF-9518-A	15
USF-ADA-13518-A	18
USF-ADA-1414-A	18
USF-ADA-1616-A	18
USF-ADA-1618-A	18
USF-ADA-1620-A	18
USF-ADA-1818-A	18
USF-ADA-1821-A	18
USF-ADA-1824-A	18
USF-ADA-1830-A	18
USX-1414-A	15
USX-1616-A	15
USX-1618-A	15
USX-1620-A	15
USX-1818-A	15
USX-1821-A	15
USX-1824-A	15
USX-1830-A	15
USXD-1821-A	15
USXD-1824-A	15
USXD-1830-A	15
UT-1442-A	17
UT-1848-A	17
UT-1854-A	17
UT-ADA-1442-A	18
UT-ADA-1848-A	18
UT-ADA-1854-A	18
UTE-1843-A	17
UTE-2043-A	17
UTE-2147-A	17
UTEQ-1842-A	17
UTEQC-2042-A	17
UTEQM-2041-A	17
WDD-2233-A-GR-L or R	23
WDD-2238-A-GR-L or R	23
WDS-2225-A-GR	23



## Made in the USA

Secure your ARRA (American Recovery and Reinvestment Act) project sink specifications with MADE IN USA plumbing products from Just.

- ★ All Just Sinks are USA made certified for ARRA (American Recovery & Reinvestment Act) projects.
- ★ Just products are produced from 100% domestically produced Stainless Steel.



[www.justmfg.com](http://www.justmfg.com)

The Made in USA manufacturing source for American made stainless steel commercial grade plumbing fixtures.





j u s t   m a n u f a c t u r i n g  
9 2 3 3   k i n g   s t r e e t  
f r a n k l i n   p a r k ,   i l   6 0 1 3 1

8 4 7 . 6 7 8 . 5 1 5 0  
j u s t m f g . c o m